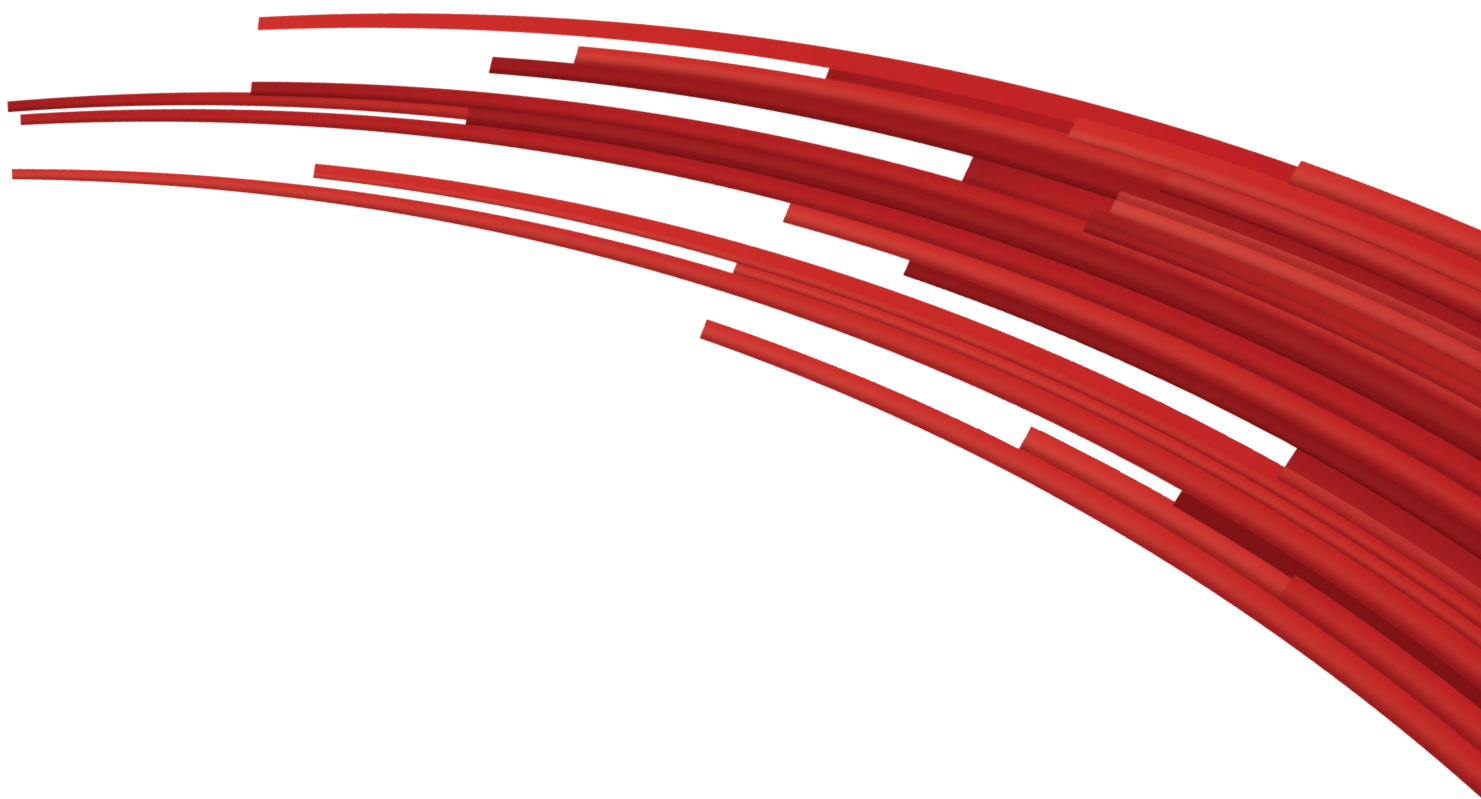


Connecting dots.
Providing Solutions.



Contents

A SERIES	Capsule Slip Rings		out \varnothing 12-25mm (0.5-1 inch)	circuits up to 56	p. 0 - 31
	for Signals				p. 12 - 19
	for High Current		22mm (0.87 inch)	3	p. 20 - 23
	for Radio Frequency		22-25mm (0.87 0.98 inch)	up to 36	p. 24 - 27
B SERIES	Faston Slip Rings		out \varnothing 32-77mm (1.26-3.03 inch)	circuits up to 8	p. 32 - 37
C SERIES	Through-Bore Slip Rings		in \varnothing 3-100mm (0.12-3.94 inch)	circuits up to 96	p. 38 - 55
D SERIES	Ruggedized Slip Rings		out \varnothing 75-87mm (2.95-3.43 inch)	circuits up to 96	p. 56 - 61
E SERIES	Open Slip Rings		in \varnothing 25-60mm (1-2.36 inch)	circuits 3	p. 62 - 67
F SERIES	Flat Slip Rings		in \varnothing 40mm (1.57 inch)	circuits 20	p. 68 - 73
	Special Slip Rings				p. 76 - 81



Expertise at your service

All-around services and solutions. A product selection and software development are the best proposal for specific applications.

In the automation and motion control industry since 1980, Servotecnica manufactures and proposes unique products based on cutting-edge technologies developed by leading global manufacturers.

The concernment of giving a wide range of products guarantees its presence in all sectors of the industry requiring high performances, skilled engineers, reducing machine developing time and offering a service support which grants a reliable partner for your applications.

Cost Effective

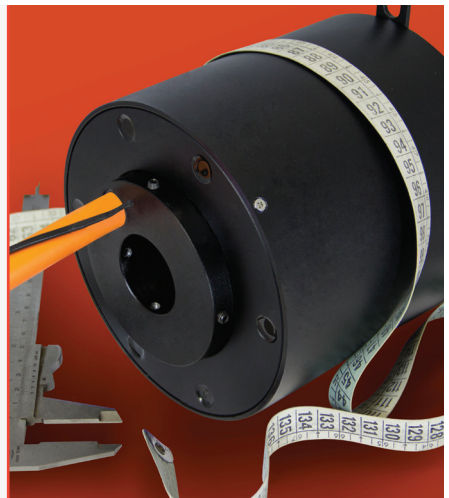
A wide range of models and solutions that can fit perfectly your applications, a team of experts able to support you during the design and development, a history from which to draw to develop the future. We can shorten the time to market delivering our experience and thus reducing costs and problems.



Custom

Our team of experts can support you in the development of a custom solution: electrical specifications, mechanical bounds, cables, connectors and more.

Furthermore, we can deliver integrated solutions mixing fluidic and fiber optic rotary joints to grant a whole coverage of your needs and the most innovative technologies in a single partner. This philosophy granted us the capacity to work in mission critical applications.



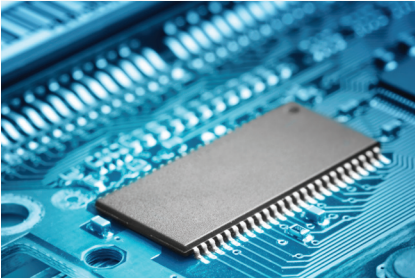
The widest range

More than 2000 standard and 400 custom models of electrical rotary joints, 150 standard and 300 custom models of fluidic rotary joints and 50 models of fiber optic rotary joints grant us the possibility of an impressive number of combinations. The possibility to customize easily our products and the continuous attention to market needs and trends constantly increase our proposal to customers.



Industries

Electronics



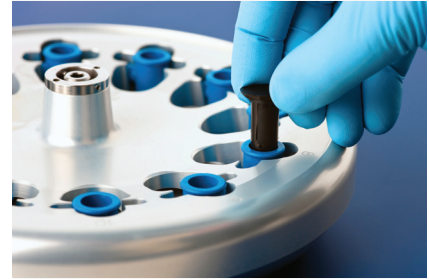
Semiconductors
Test
Wafer

Aerospace



Air
Land
Sea

Medical



Diagnosis
Pharm & Beauty
Radiology
Odontology
Mobile tools

Robotics



Humanoid robotics
Inspection robotics
Flexible automation
Welder's tongs

Packaging



Filling & labelling
Capping
Food & beverage
Packaging
Scales

Automatic doors



Lifts
Linear doors
Revolving doors
Locks

Machine tool



Machine centre
Sheet metal forming
Electrical discharge
Press machines
Lathe machines

Energy



Renewable energy
Not renewable energy
Wind turbines

Converting



Digital ink jet
Flexographic printing
Offset printing
Plane printing
Rotogravure

Amusement parks



Merry-go-round

Plastics



Blow molding
Plastic bags
Extrusion

Oil & gas



Oil
Gas
Valves

Build it yourself.

The new online **Slip Ring configurator** is here!



Define

Define your limits whether they are mechanical -like internal and external diameter- or electrical -like current and number of circuits.

Choose among a world of features and find what best fits your requirements among over 2000 models.



Compare

Add your starting choices to the comparative table.

Sort the items as you please with the drag-n-drop logic and quickly spot the differences between them.



Select

Pick one or more options and add them to the basket.

Get the complete part number and the summary of the technical specifications.



Get a quote

Fill the form with your contact information and drop a line if needed. We will get back to you within 24 hours.



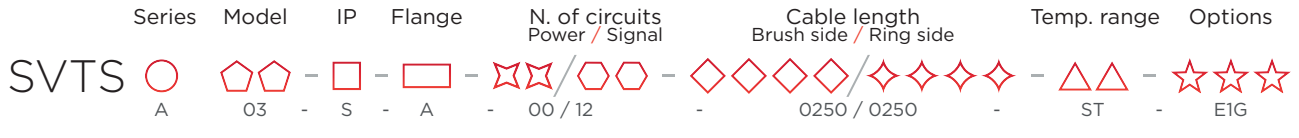
TRY IT NOW!

Scan the QR code
or visit www.servotecnica.com

What you are looking for isn't there?
Not a problem, let's work together on your custom solution.

info@servotecnica.com
+39 03624921

Part number



○ Series

- A / Capsule Slip Rings
- B / Faston Slip Rings
- C / Through-Bore Slip Rings
- D / Stainless Steel Slip Rings
- E / Open Slip Rings
- F / Flat Slip Rings

○ Model

01, 02, 03, ... / See specific section

□ IP grade

- R / IP00
- S / IP51
- T / IP54
- U / IP65

□ Flange

A / Standard
 B, C, D, E, F / See specific section

☆☆ Circuits

☆☆ Power / ○ Signal

See specific section for available multiples

◇◇ Cable length

◇◇ Brush side / ◇◇ Ring side

SVTS A /
 Custom cable length increase possible as multiple of 250mm

SVTS C, D, E, F /
 Custom cable length increase possible as multiple of 500mm

△ Temperature range

ST / -20°C +80°C

ET / -40°C +80°C

☆☆ Special Options

SVTS A 03

E1M / 100 BaseT Ethernet
 E1G / 1000 BaseT Ethernet

SVTS A 04

E1M / 100 BaseT Ethernet
 E1G / 1000 BaseT Ethernet

SVTS A 05

001 / 4A circuits
 002 / 8A circuits
 003 / 10A circuits
 004 / 20A circuits

SVTS A 06

Coax cable
 01* / RG174
 02* / RG316
 03* / RG178
 04* / RG179

Connectors

**1 / MMCX
 **2 / SMA
 **3 / SMB
 **4 / MCX
 **5 / BNC

SVTS C 04

E1M / 100 BaseT Ethernet
 E1G / 1000 BaseT Ethernet

SVTS C 05

E1M / 100 BaseT Ethernet
 E1G / 1000 BaseT Ethernet
 OP1 / 6mm air plastic passage
 OP2 / 10mm air plastic passage

SVTS C 06

E1M / 100 BaseT Ethernet

SVTS E 01

001 / 20A Circuits
 002 / 40A Circuits

SVTS E 02

001 / 20A Circuits
 002 / 40A Circuits

SVTS E 03

001 / 20A Circuits
 002 / 40A Circuits
 003 / 60A Circuits

SVTS E 04

001 / 20A Circuits
 002 / 40A Circuits
 003 / 60A Circuits

SVTS A Series

Capsule Slip Rings

High-current Capsule Slip Rings

Radio Frequency Capsule Slip Rings

Contents

	Model	Out ø	Page
CAPSULE	SVTS A 01	12mm (0.5 inch)	14
	SVTS A 02	15mm (0.61 inch)	15
	SVTS A 03	22mm (0.87 inch)	16 - 17
	SVTS A 03 - Ethernet +NEW	22mm (0.87 inch)	16 - 17
	SVTS A 04	25mm (1 inch)	18 - 19
	SVTS A 04 Ethernet +NEW	25mm (1 inch)	18 - 19
HIGH CURRENT	SVTS A 05	22mm (0.87 inch)	22
RF	SVTS A 06	22mm (0.87 inch)	26
	SVTS A 07 +NEW	25mm (0.98 inch)	26
	Flange types		28 - 31

SVTS A Series

Capsule



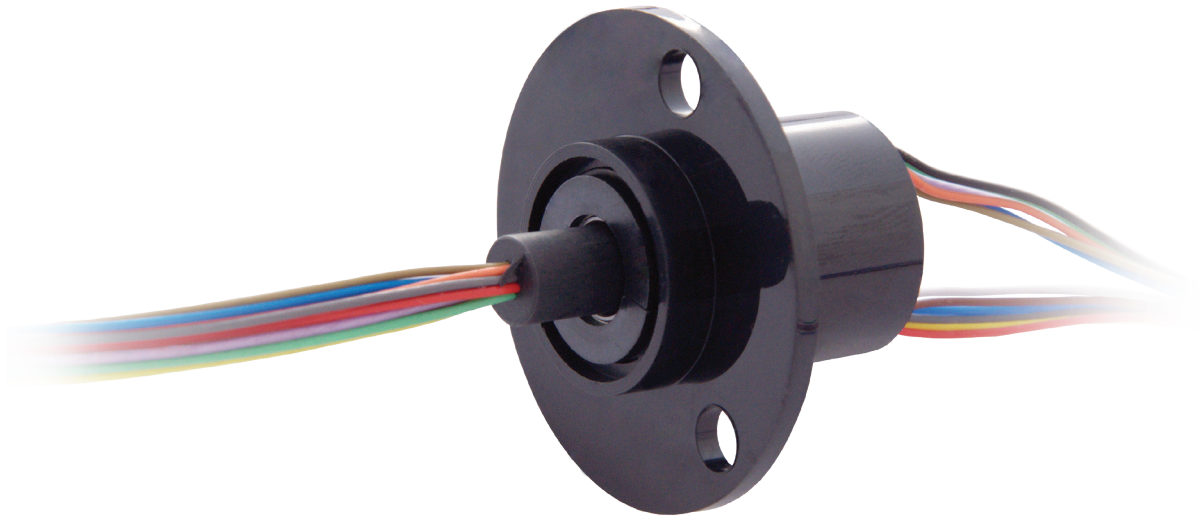
Optimal signal transmission



High circuit density



Compact



The capsule A Series Slip Rings, thanks to their reduced diameter, guarantees a low peripheral speed between rings and brushes, thus to reduce material consumption so as to enhance its lifetime and minimise electrical noise and interferences between rings.

This Series has been designed keeping signal transmission optimisation, compactness and reliability in mind. Moreover, this Slip Ring family is available in a wide range of configurations, from 3 to 56 circuits.

The gold-gold technology used for both rings and brushes, makes high data rate and high frequency signal transmission possible.

Benefits

Optimal signal transmission (gold-gold technology)

Compact

Light

Many customisations

High circuits density

Combinable with fluidic rotary joints and FORJ

Water resistant (IP65)*

Cost-effective

Main applications

Video systems

Moving head projectors

Packaging

Hose & cable reels






















Control systems











Medical / pharmaceutical

Wind turbines

*Option not available for SVTS A 02

Product code (go to page 9 for the detailed coding system)

SVTS A   -  -  -   /   -     /     -   -   

-  Series
-  Model
-  IP grade ¹
-  Flange type
-  Power circuits
-  Signal circuits
-  Cable length (brush side)
-  Cable length (ring side)
-  Temperature range ²
-  Special options ³

¹ IP51 [S]; IP65 [U]

² Standard [ST]; Extended [ET]

³ Ethernet 100BaseT [E1M]; Ethernet 1000BaseT [E1G]

Features

Current	1A: continuous - 2A peak: AWG28 2A: AWG26 4A: AWG22 6A: AWG20 8A: AWG16
Voltage	240 VDC / 240 VAC
Cables	Silver plated / PTFE insulated / colour coded
Cables length	Standard: 250mm; custom cable length increase possible as multiples of 250mm
Dielectric strength	500 VAC @ 60Hz @ 60 sec
Insulation resistance	> 500 MΩ / 500 VDC
Dynamic contact resistance	< 10 mΩ
Nominal speed	up to 500 rpm (others on request)
Bearings	Miniature high-precision stainless steel ball bearings
Housing	ABS; Alluminium
Contact	Gold-gold
Temperature	-20°C to +80°C (-40°C as option)
Protection	IP51; IP65
Expected lifetime	10 ⁷ revolutions (depending on speed, environmental conditions and size)

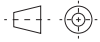
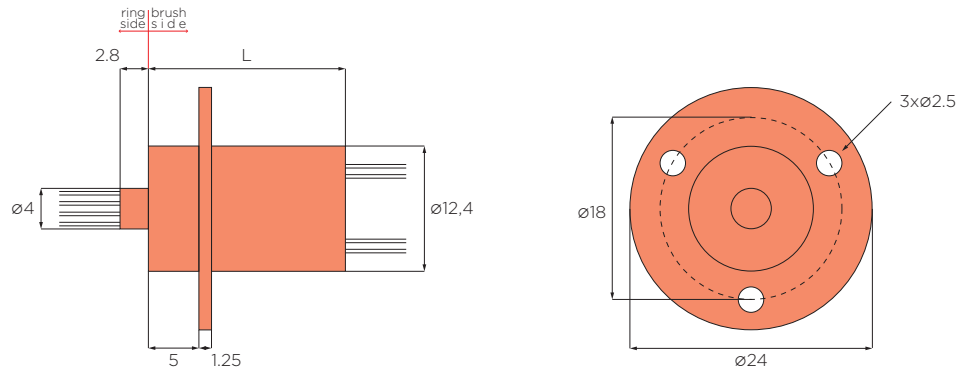
Combinations

Electric	Fieldbus	Fluidic (combined solutions)
Signals	EtherCAT	Air
	Profinet	Oil
	Sercos	Water
	Powerlink	
	Ethernet	

Customizations

Cables	Mechanical design	Flange
Materials		

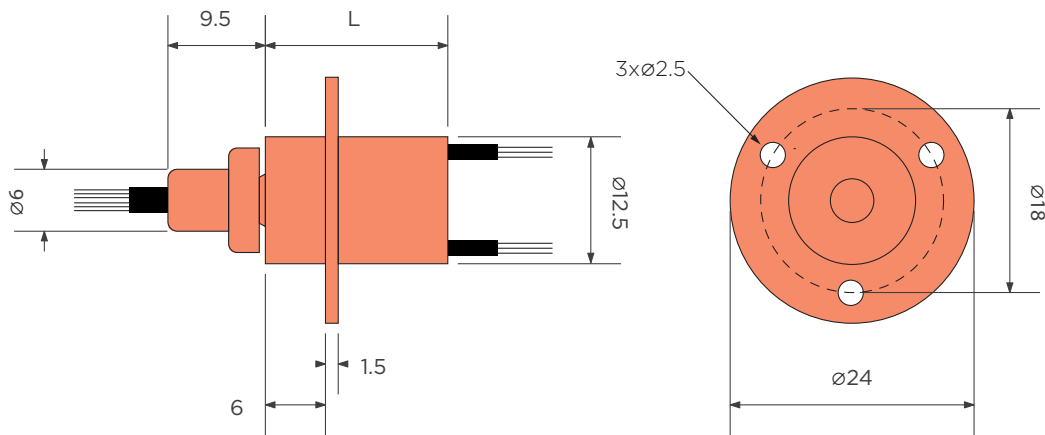
SVTS A 01



See page 28 for different flange options
 Custom cable length increase possible as multiples of 250mm

Model	Number of circuits		Dimensions L	Housing	Color code p. 82
	Total	Signals 1-2A			
SVTS A 01-S-A-00/06	6	6	14	ABS	CC 1
SVTS A 01-S-A-00/12	12	12	19.5	ABS	CC 1
SVTS A 01-S-A-00/18	18	18	23	ABS	CC 1

IP65 option

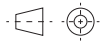
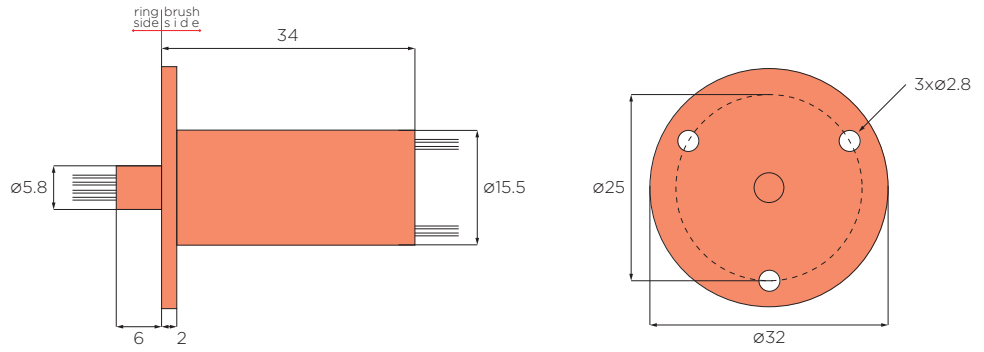


See page 28 for different flange options
 Custom cable length increase possible as multiples of 250mm

Model	Number of circuits		Dimensions L	Housing	Color code p. 82
	Total	Signals 1-2A			
SVTS A 01-U-A-00/06	6	6	21.5	Al	CC 1
SVTS A 01-U-A-00/12	12	12	27	Al	CC 1
SVTS A 01-U-A-00/18	18	18	32	Al	CC 1

All dimensions in millimeters, unless otherwise specified

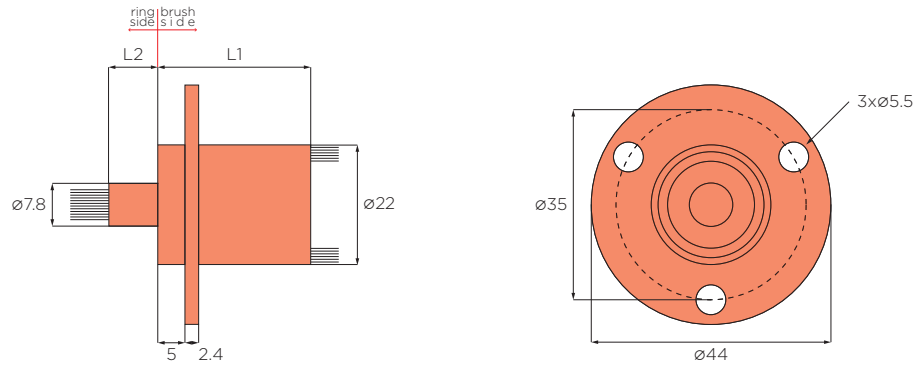
SVTS A 02



See page 28 for different flange options
 Custom cable length increase possible as multiples of 250mm

Model	Number of circuits Signals	Housing	Color code p. 82
	1-2A		
SVTS A 02-S-A-00/24	24	ABS	CC 1

SVTS A 03



See page 28 for different flange options
 Custom cable length increase possible as multiples of 250mm

Model	Number of circuits				Dimensions		Housing	Color code p. 82
	Total	Signals			L1	L2		
		1-2A	6A	8A				
SVTS A 03-S-A-00/06	6	6	-	-	19	9	ABS	CC 1
SVTS A 03-S-A-00/12	12	12	-	-	28	9	ABS	CC 1
SVTS A 03-S-A-02/02	4	2	2	-	28	9	ABS	CC 1
SVTS A 03-S-A-00/15	15	15	-	-	29.5	9	ABS	CC 1
SVTS A 03-S-A-00/18	18	18	-	-	33.4	9	ABS	CC 1
SVTS A 03-S-A-03/00	3	-	-	3	33.4	9	ABS	CC 1
SVTS A 03-S-A-00/24	24	24	-	-	41.2	9	ABS	CC 1
SVTS A 03-S-A-04/06	10	6	4	-	41.2	9	ABS	CC 1
SVTS A 03-S-A-00/30	30	30	-	-	49.2	6	ABS	CC 2
SVTS A 03-S-A-00/36	36	36	-	-	57	9	ABS	CC 2

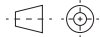
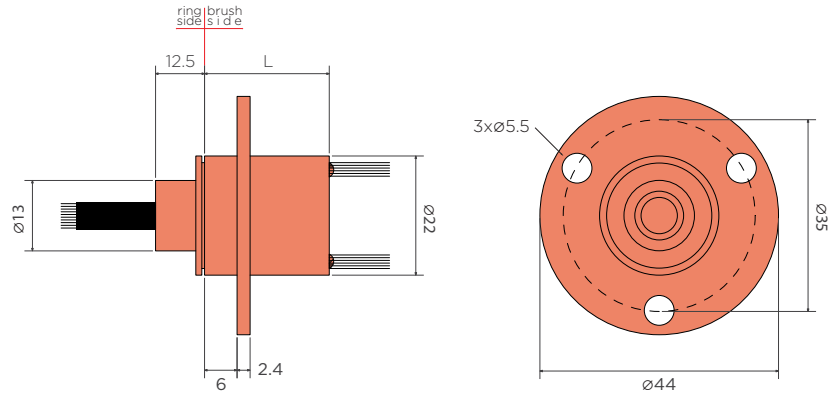
Ethernet option*

Model	Number of circuits			L1	L2	Housing	Color code
	Total	Signals	Ethernet				
SVTS A 03-S-A-00/00-...-E1M	5	-	100BaseT	9	19	ABS	Contact factory
SVTS A 03-S-A-00/06-...-E1M	11	6	100BaseT	9	28	ABS	Contact factory
SVTS A 03-S-A-00/09-...-E1M	14	9	100BaseT	9	29.5	ABS	Contact factory
SVTS A 03-S-A-00/12-...-E1M	17	12	100BaseT	9	33.4	ABS	Contact factory
SVTS A 03-S-A-00/18-...-E1M	23	18	100BaseT	9	41.2	ABS	Contact factory
SVTS A 03-S-A-00/24-...-E1M	29	24	100BaseT	6	49,2	ABS	Contact factory
SVTS A 03-S-A-00/30-...-E1M	35	30	100BaseT	9	57	ABS	Contact factory
SVTS A 03-S-A-00/00-...-E1G	9	-	1000BaseT	9	28	ABS	Contact factory
SVTS A 03-S-A-00/03-...-E1G	12	3	1000BaseT	9	29.5	ABS	Contact factory
SVTS A 03-S-A-00/06-...-E1G	15	6	1000BaseT	9	33.4	ABS	Contact factory
SVTS A 03-S-A-00/12-...-E1G	21	12	1000BaseT	9	41.2	ABS	Contact factory
SVTS A 03-S-A-00/24-...-E1G	33	24	1000BaseT	9	57	ABS	Contact factory

*RJ 45 connectors included

All dimensions in millimeters, unless otherwise specified

IP65 option



See page 28 for different flange options
 Custom cable length increase possible as multiples of 250mm

Model	Number of circuits			L	Housing	Color code p. 82
	Total	Signals 1-2A	Power 6A			
SVTS A 03-U-A-00/06	6	6	-	27	Al	CC 1
SVTS A 03-U-A-00/12	12	12	-	36	Al	CC 1
SVTS A 03-U-A-02/02	4	2	2	36	Al	CC 1
SVTS A 03-U-A-00/15	15	15	-	42	Al	CC 1
SVTS A 03-U-A-00/18	18	18	-	42	Al	CC 1
SVTS A 03-U-A-00/24	24	24	-	50	Al	CC 1
SVTS A 03-U-A-04/06	10	6	4	50	Al	CC 1
SVTS A 03-U-A-00/36	36	36	-	66	Al	CC 2

+NEW

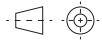
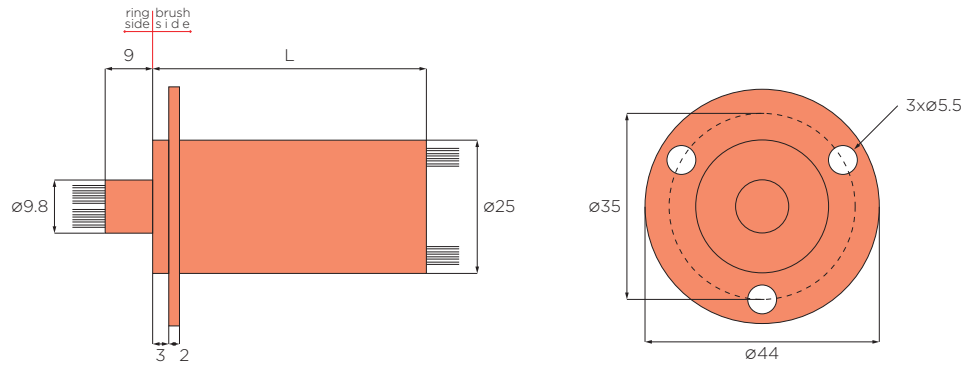
Ethernet option*

Model	Number of circuits			L	Housing	Color code
	Total	Signals 2A	Ethernet			
SVTS A 03 -U-A-00/00-...-E1M	5	-	100BaseT	27	Al	Contact factory
SVTS A 03 -U-A-00/06-...-E1M	11	6	100BaseT	36	Al	Contact factory
SVTS A 03 -U-A-00/09-...-E1M	14	9	100BaseT	42	Al	Contact factory
SVTS A 03 -U-A-00/12-...-E1M	17	12	100BaseT	42	Al	Contact factory
SVTS A 03 -U-A-00/18-...-E1M	23	18	100BaseT	50	Al	Contact factory
SVTS A 03 -U-A-00/30-...-E1M	35	30	100BaseT	66	Al	Contact factory
SVTS A 03 -U-A-00/00-...-E1G	9	-	1000BaseT	36	Al	Contact factory
SVTS A 03 -U-A-00/03-...-E1G	12	3	1000BaseT	42	Al	Contact factory
SVTS A 03 -U-A-00/06-...-E1G	15	6	1000BaseT	42	Al	Contact factory
SVTS A 03 -U-A-00/12-...-E1G	21	12	1000BaseT	50	Al	Contact factory
SVTS A 03 -U-A-00/24-...-E1G	33	24	1000BaseT	66	Al	Contact factory

*RJ 45 connectors included

All dimensions in millimeters, unless otherwise specified

SVTS A 04



See page 28 for different flange options
 Custom cable length increase possible as multiples of 250mm

Model	Number of circuits				L	Housing	Color code p. 82
	Total	Signals	Power				
		1-2A	6A	8A			
SVTS A 04-S-A-00/30	30	30	-	-	51.5	Al	CC 3
SVTS A 04-S-A-04/18	22	18	4	-	51.5	Al	CC 3
SVTS A 04-S-A-03/15	18	15	-	3	51.5	Al	CC 3
SVTS A 04-S-A-00/36	36	36	-	-	59.5	Al	CC 3
SVTS A 04-S-A-04/24	28	24	4	-	59.5	Al	CC 3
SVTS A 04-S-A-04/16	20	16	-	4	59.5	Al	CC 3
SVTS A 04-S-A-00/46	46	46	-	-	72.5	Al	CC 3
SVTS A 04-S-A-00/56	56	56	-	-	85.5	Al	CC 4
SVTS A 04-S-A-04/44	48	44	4	-	85.5	Al	CC 3
SVTS A 04-S-A-04/36	40	36	-	4	85.5	Al	CC 3

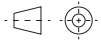
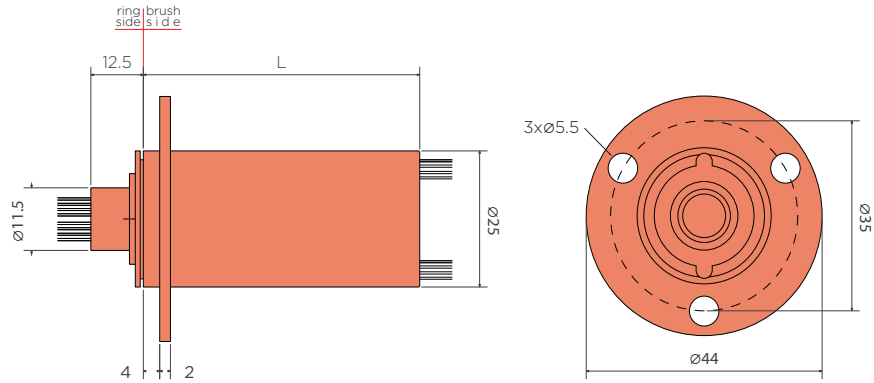
Ethernet option*

Model	Number of circuits			L	Housing	Color code
	Total	Signals	Ethernet			
		2A				
SVTS A 04-S-A-00/24-...-E1M	29	24	100BaseT	51.5	Al	Contact factory
SVTS A 04-S-A-00/30-...-E1M	35	30	100BaseT	59.5	Al	Contact factory
SVTS A 04-S-A-00/40-...-E1M	45	40	100BaseT	72.5	Al	Contact factory
SVTS A 04-S-A-00/50-...-E1M	55	50	100BaseT	85.5	Al	Contact factory
SVTS A 04-S-A-00/18-...-E1G	27	18	1000BaseT	51.5	Al	Contact factory
SVTS A 04-S-A-00/24-...-E1G	33	24	1000BaseT	59.5	Al	Contact factory
SVTS A 04-S-A-00/34-...-E1G	43	34	1000BaseT	72.5	Al	Contact factory
SVTS A 04-S-A-00/44-...-E1G	53	44	1000BaseT	85.5	Al	Contact factory

*RJ 45 connectors included

All dimensions in millimeters, unless otherwise specified

IP65 option



See page 28 for different flange options
Custom cable length increase possible as multiples of 250mm

Model	Number of circuits				L	Housing	Color code p. 82
	Total	Signals 1-2A	Power 6A 8A				
SVTS A 04-U-A-00/30	30	30	-	-	60	Al	CC 3
SVTS A 04-U-A-04/18	22	18	4	-	60	Al	CC 3
SVTS A 04-U-A-03/15	18	15	-	3	60	Al	CC 3
SVTS A 04-U-A-00/36	36	36	-	-	68	Al	CC 3
SVTS A 04-U-A-04/24	28	24	4	-	68	Al	CC 3
SVTS A 04-U-A-04/16	20	16	-	4	68	Al	CC 3
SVTS A 04-U-A-00/46	46	46	-	-	81	Al	CC 3
SVTS A 04-U-A-00/56	56	56	-	-	94	Al	CC 4
SVTS A 04-U-A-04/44	48	44	4	-	96	Al	CC 3
SVTS A 04-U-A-04/36	40	36	-	4	94	Al	CC 3

+NEW

Ethernet option*

Model	Number of circuits			L	Housing	Color code
	Total	Signals 2A	Ethernet			
SVTS A 04 -U-A-00/24-...-E1M	29	24	100BaseT	60	Al	Contact factory
SVTS A 04 -U-A-00/30-...-E1M	35	30	100BaseT	68	Al	Contact factory
SVTS A 04 -U-A-00/40-...-E1M	45	40	100BaseT	81	Al	Contact factory
SVTS A 04 -U-A-00/50-...-E1M	55	50	100BaseT	94	Al	Contact factory
SVTS A 04 -U-A-00/18-...-E1G	27	18	1000BaseT	60	Al	Contact factory
SVTS A 04 -U-A-00/24-...-E1G	33	24	1000BaseT	68	Al	Contact factory
SVTS A 04 -U-A-00/34-...-E1G	43	34	1000BaseT	81	Al	Contact factory
SVTS A 04 -U-A-00/44-...-E1G	53	44	1000BaseT	94	Al	Contact factory

*RJ 45 connectors included

All dimensions in millimeters, unless otherwise specified

SVTS A Series

High current capsule Slip Rings



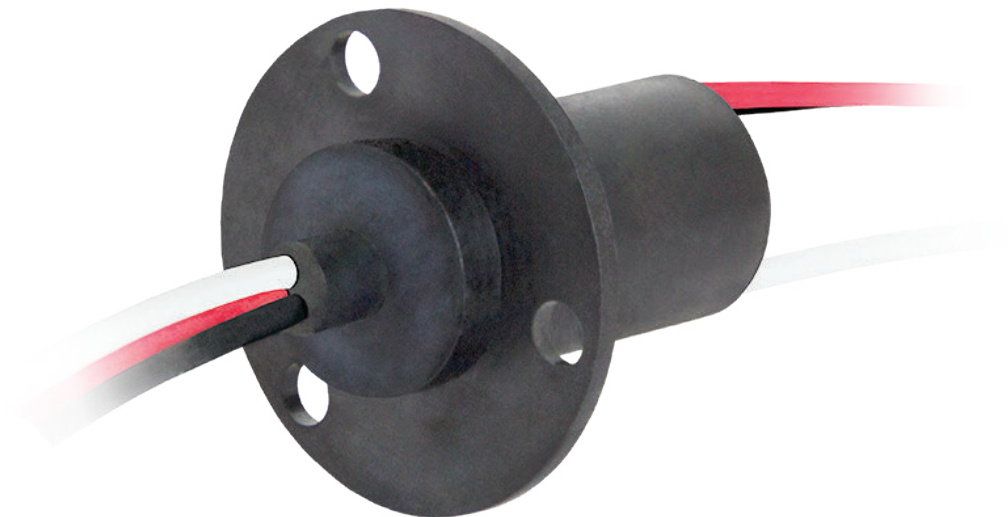
Cost effective



High power



Compact



The high-current capsule A Series Slip Rings, thanks to their extreme compactness, guarantees a low outer speed between rings and brushes, thus to reduce material consumption so as to enhance its lifetime. This Series has been designed keeping flexibility, cost-effectiveness and reliability in mind. Moreover, this Slip Ring family is available in a wide range of configurations, from 3 to 56 circuits. The gold-gold technology used between rings and brushes, minimise noise and interferences between the rings, allowing high data rate and frequency signal transmission.

In addition, the SVTS A 05 model has been designed to guarantee power circuits in a very small footprint (up to 20 A @ 250 VAC).

Benefits

High power in little space

Compact

Light

Cost-effective

Main applications

Wind turbines

Packaging

Packaging

Moving head projectors

Hose & cable reels

Medical / pharmaceutical

Control systems

Product code (go to page 9 for the detailed coding system)

SVTS A 05 - □ - □ - ☆☆ / ○○ - ◇◇◇◇ / ◆◆◆◆ - △△ - ☆☆☆

A Series 05 Model □ IP grade¹ □ Flange type ☆ Power circuits ○ Signal circuits
 ◇ Cable length (brush side) ◆ Cable length (ring side) △ Temperature range² ☆ Special options³

¹ Only IP51 [S]

² Standard [ST]; Extended [ET]

³ 4A circuits [001]; 8A circuits [002]; 10A circuits [003]; 20A circuits [004]

Features

Current	4A: AWG22 6A: AWG20 8A/10A: AWG16 20A: AWG14
Voltage	240 VDC / 240 VAC
Cables	Tin plated / PTFE insulated / colour coded
Cables length	Standard: 250mm; custom cable length increase possible as multiples of 250mm
Dielectric strength	500 VAC @ 60Hz @ 60 sec
Insulation resistance	> 500 MΩ / 500 VDC
Dynamic contact resistance	< 10 mΩ
Nominal speed	250 rpm
Bearings	Miniature high-precision stainless steel ball bearings
Housing	ABS; Alluminium
Contact	Gold-gold
Temperature	-20°C to +80°C (-40°C as option)
Protection	IP51
Expected lifetime	10 ⁷ revolutions (depending on speed, environmental conditions and size)

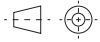
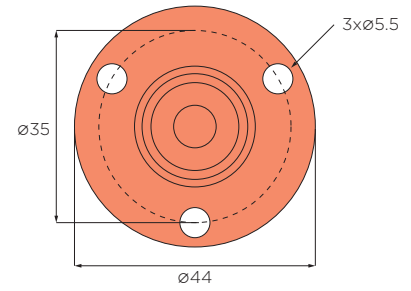
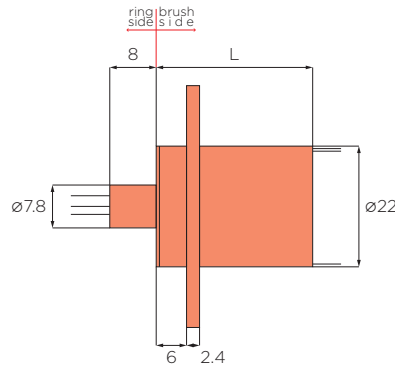
Combinations

Electric	Fluidic (combined solutions)
Power	Air
	Oil
	Water

Customizations

Cables	Mechanical design	Flange
Materials		

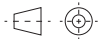
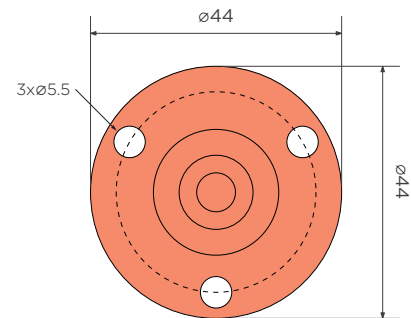
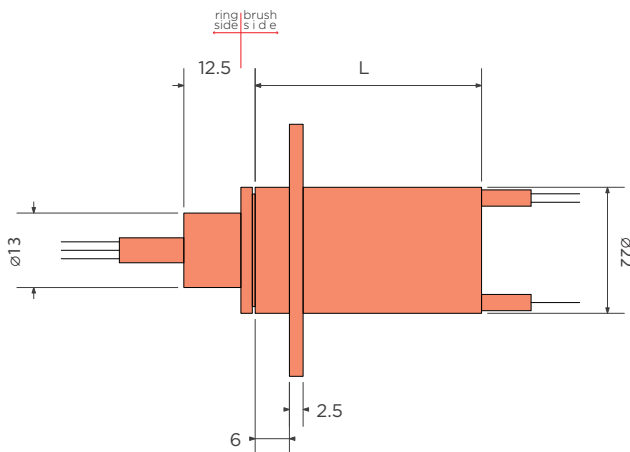
SVTS A 05



See page 28 for different flange options
Custom cable length increase possible as multiples of 250mm

Model	Number of circuits					L	Housing	Color code p. 82
	Total	Power						
		4A	8A	10A	20A			
SVTS A 05-S-A-03/00-...-001	3	3	-	-	-	21	ABS	CC 9
SVTS A 05-S-A-03/00-...-002	3	-	3	-	-	29	ABS	CC 9
SVTS A 05-S-A-03/00-...-003	3	-	-	3	-	35	ABS	CC 9
SVTS A 05-S-A-03/00-...-004	3	-	-	-	3	43	ABS	CC 9

IP65 option



See page 28 for different flange options
Custom cable length increase possible as multiples of 250mm

Model	Number of circuits					L	Housing	Color code p. 82
	Total	Power						
		4A	8A	10A	20A			
SVTS A 05-U-A-03/00-...-001	3	3	-	-	-	28	Al	CC 9
SVTS A 05-U-A-03/00-...-002	3	-	3	-	-	36	Al	CC 9
SVTS A 05-U-A-03/00-...-003	3	-	-	3	-	42	Al	CC 9
SVTS A 05-U-A-03/00-...-004	3	-	-	-	3	50	Al	CC 9

All dimensions in millimeters, unless otherwise specified

SVTS A Series

Radio frequency capsule Slip Rings



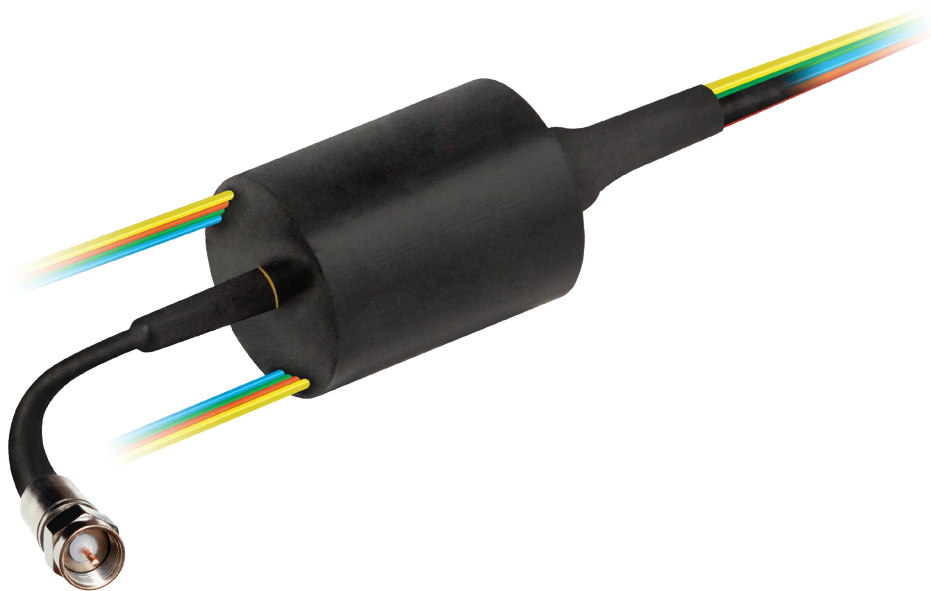
Hi-def video transmission



High circuit density



Compact



The radio frequency A Series Slip Rings are used to transfer up to 24 electrical signals from a stationary to a rotating structure, in conjunction with an RF channel.

The RF channel can transfer up to 3 GHz. Designed specifically for transferring high definition video signals (1080p / 3G-SDI o 1080i/HD-SDI), this series can fit RG178, RG316 and RG174 type coaxial cables.

Benefits

RF coaxial connection

High definition video transmission

Optimal signal transmission (gold-gold technology)

Compact

Light

High circuits density

Combinable with fluidic rotary joints and FORJ

Cost-effective

Main applications

RF systems

High definition video systems / CCTV

Optical heads

Product code (go to page 9 for the detailed coding system)

SVTS A 06 - □ - □ - ☆☆ / ○○ - ◇◇◇◇ / ☆☆☆☆ - △△ - ☆☆☆☆

A Series 06 Model □ IP grade¹ □ Flange type ☆ Power circuits ○ Signal circuits

◇ Cable length (brush side) ☆ Cable length (ring side) △ Temperature range² ☆ Special options³

¹ Only IP51 [S]

² Standard [ST]; Extended [ET]

³ RG174 [01*]; RG316 [02*]; RG178 [03*]; RG179 [04*]; MMCX [**1]; SMA [**2]; SMB [**3]; MCX [**4]; BNC [**5]

Features

Current	2A: AWG26
Voltage	240 VDC / 240 VAC
Cables	Silver plated / PTFE insulated / colour coded RG174, RG136, RG178, RG179
Cables length	Standard: 250mm; custom cable length increase possible as multiples of 250mm
Dielectric strength	500 VAC @ 60Hz @ 60 sec
Insulation resistance	> 500 MΩ / 500 VDC
Dynamic contact resistance	< 10 mΩ
Nominal speed	100 rpm
Bearings	Miniature high-precision stainless steel ball bearings
Housing	ABS
Contact	Gold-gold
Temperature	-20°C to +80°C (-40°C as option)
Protection	IP51
Connector	MMCX, SMA, SMB, MCX, BNC
Expected lifetime	3x10 ⁶ revolutions (depending on speed, environmental conditions and size)

Combinations

Electric

Signals

Video

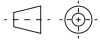
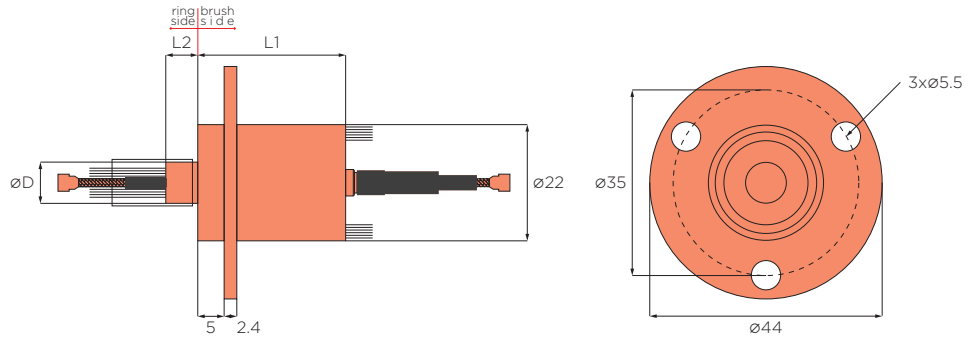
Customizations

Cables
Materials

Mechanical design

Flange

SVTS A 06

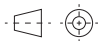
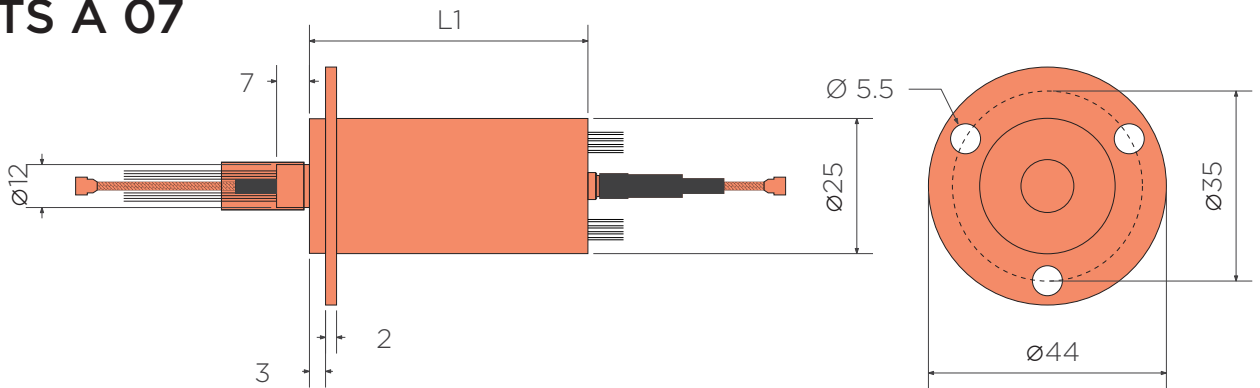


See page 28 for different flange options
 Custom cable length increase possible as multiples of 250mm

Model	Number of circuits Signals	Dimensions			Housing	Color code p. 82
		<i>D</i>	<i>L1</i>	<i>L2</i>		
SVTS A 06-S-A-00/08	8	8	24	6	ABS	CC 1
SVTS A 06-S-A-00/12	12	8	28	6	ABS	CC 1
SVTS A 06-S-A-00/18	18	8.8	38	6.8	ABS	CC 1
SVTS A 06-S-A-00/24	24	12	43	8.2	ABS	CC 1

+NEW

SVTS A 07



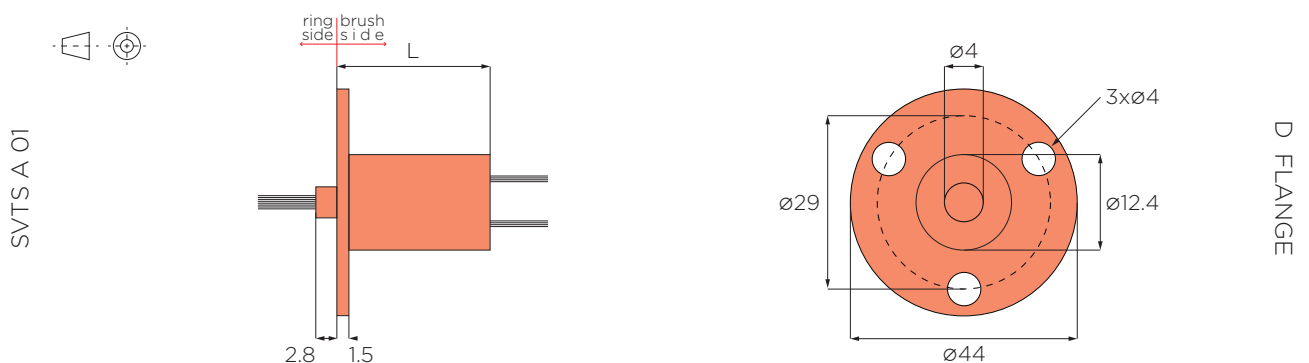
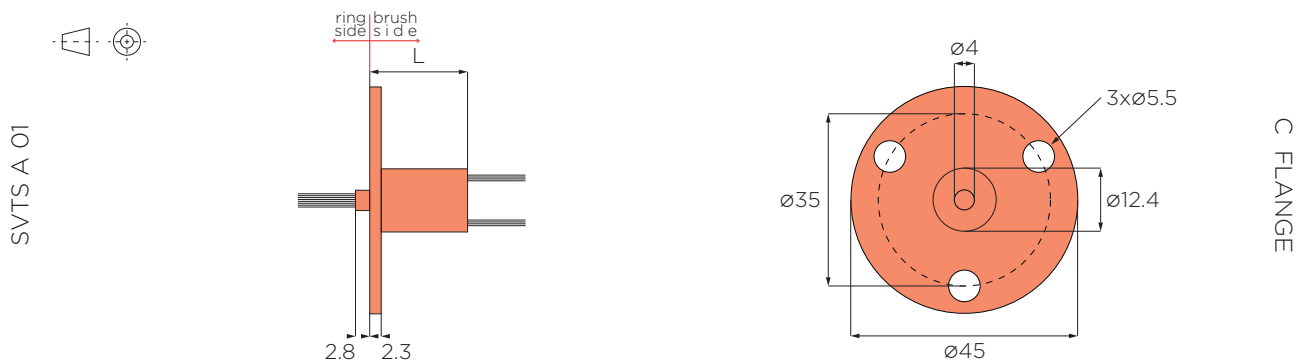
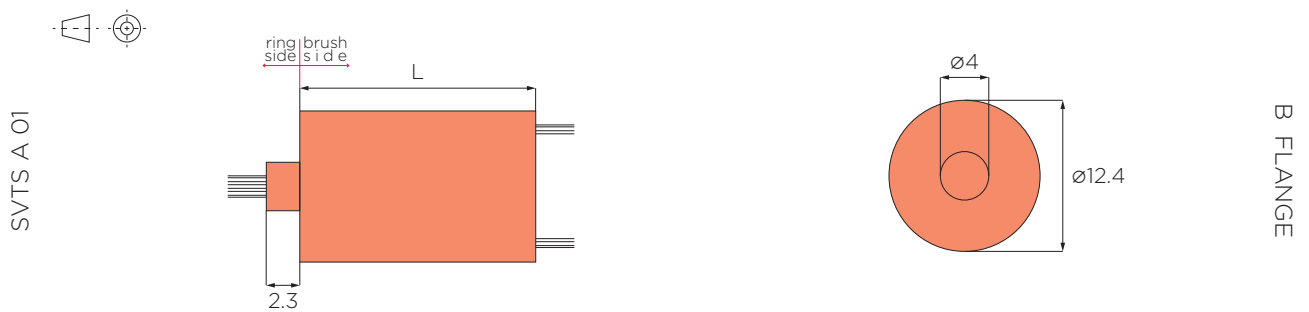
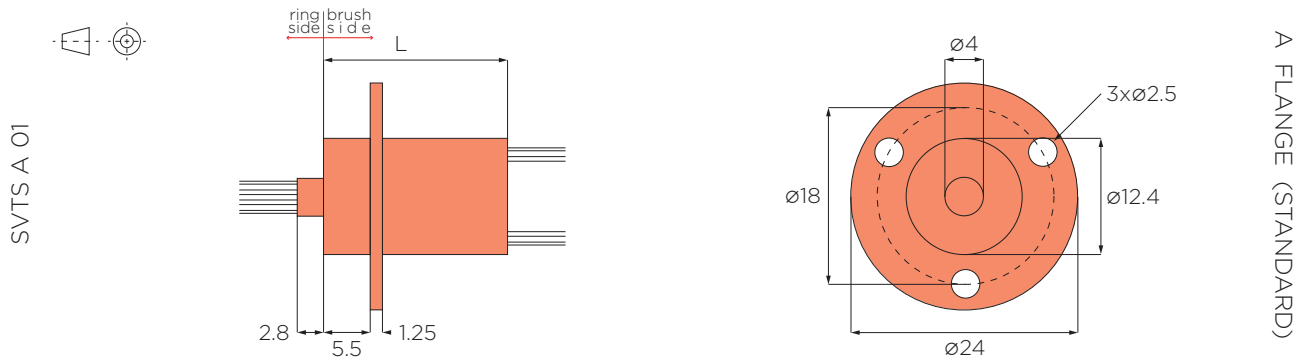
See page 28 for different flange options
 Custom cable length increase possible as multiples of 250mm

Model	Number of circuits Signals	<i>L1</i>	Housing	Color code p. 82
SVTS A 07-S-A-00/30	30	51.7	AI	CC 3
SVTS A 07-S-A-00/36	36	64	AI	CC 3

All dimensions in millimeters, unless otherwise specified

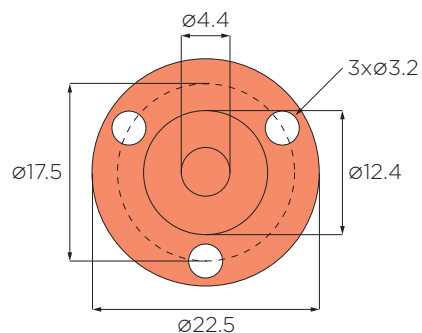
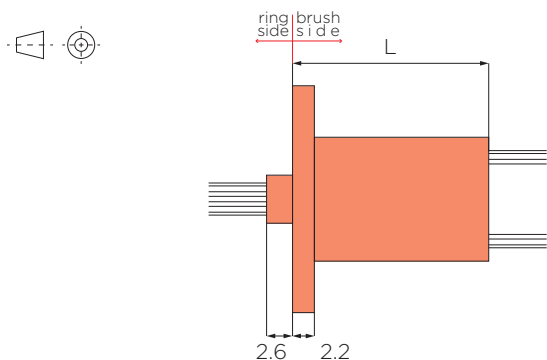
Notes

Flange types



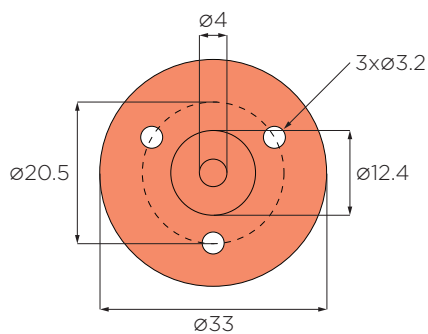
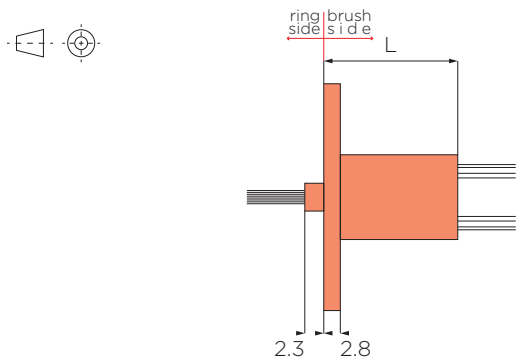
All dimensions in millimeters, unless otherwise specified

SVTS A 01



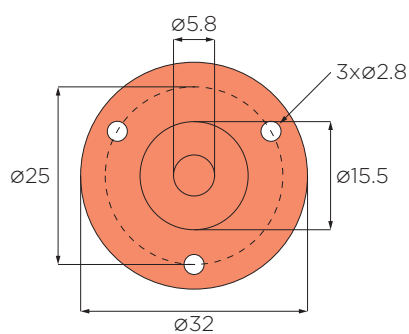
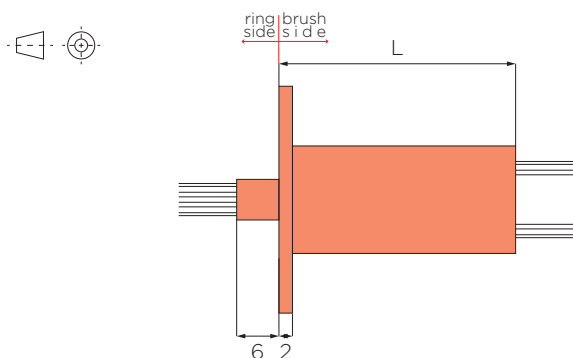
E FLANGE

SVTS A 01



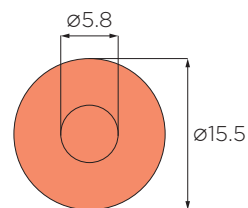
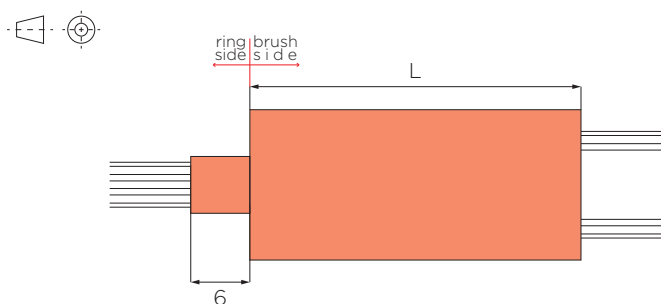
F FLANGE

SVTS A 02



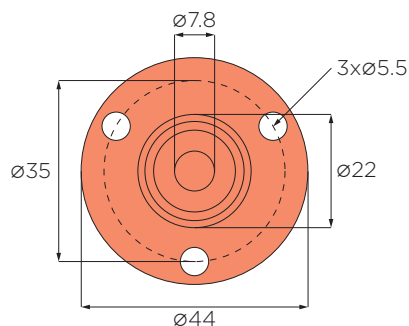
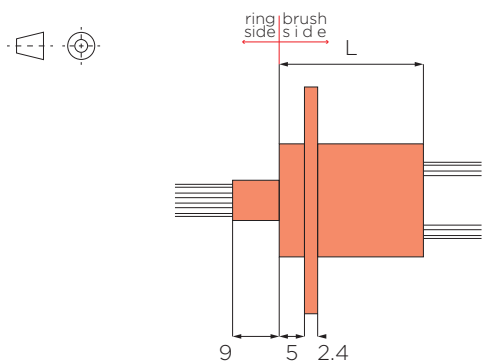
A FLANGE (STANDARD)

SVTS A 02



B FLANGE

SVTS A 03 | SVTS A 06

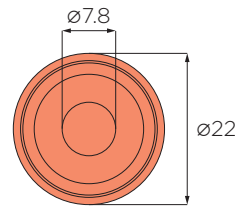
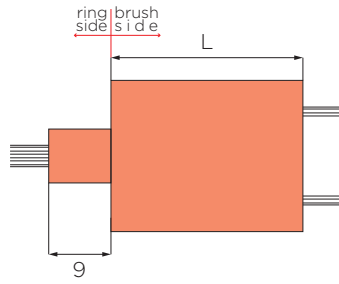


A FLANGE (STANDARD)

All dimensions in millimeters, unless otherwise specified

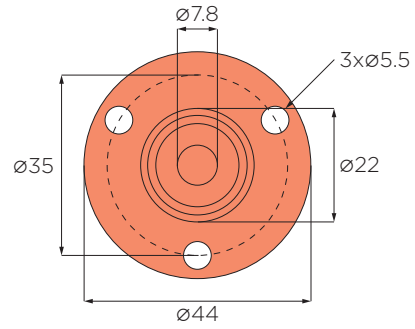
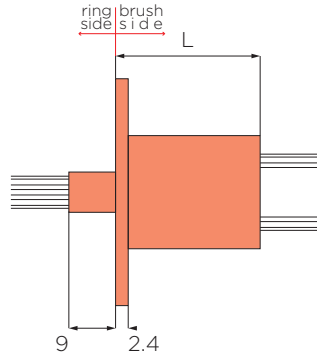
Specifications subject to change.

SVTSA A 03 | SVTSA A 06



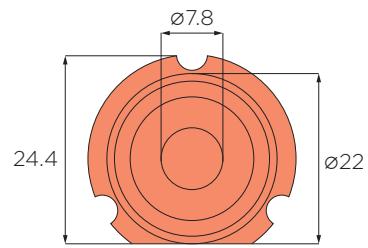
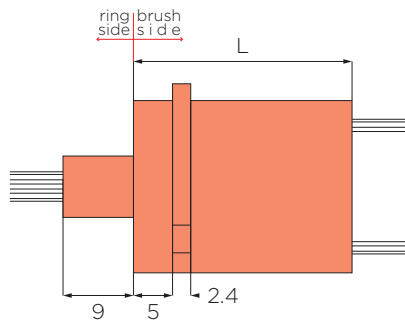
B FLANGE

SVTSA A 03 | SVTSA A 06



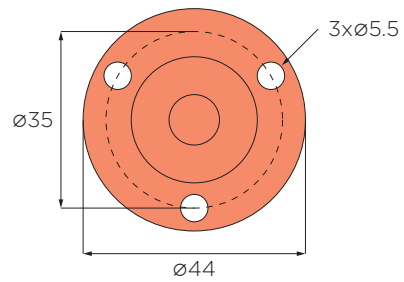
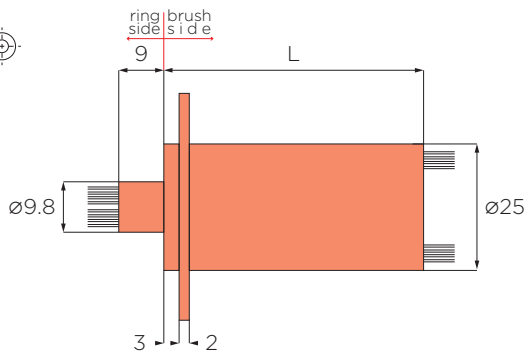
C FLANGE

SVTSA A 03 | SVTSA A 06



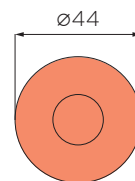
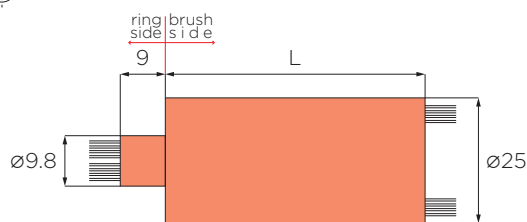
D FLANGE

SVTSA A 04 | SVTSA A 07



A FLANGE (STANDARD)

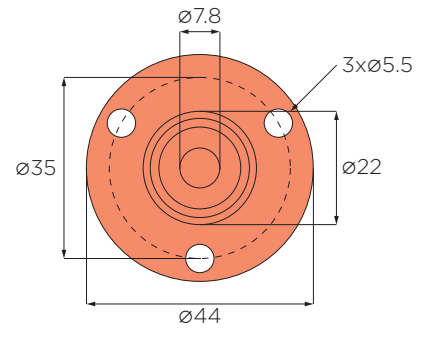
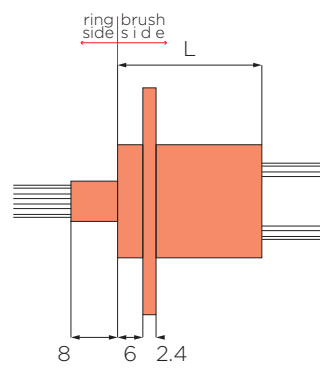
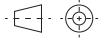
SVTSA A 04 | SVTSA A 07



B FLANGE

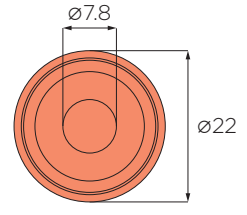
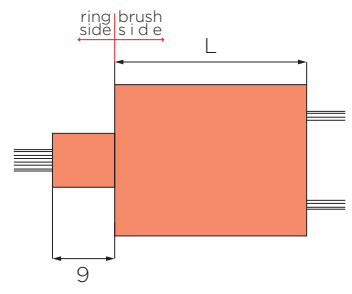
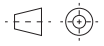
All dimensions in millimeters, unless otherwise specified

SVTS A 05



A FLANGE (STANDARD)

SVTS A 05



B FLANGE

SVTS B Series

Terminals Slip Rings

Contents

Model	Out ø	Page
SVTS B 01	32mm (1.26 inch)	36
SVTS B 02	45mm (1.77 inch)	36
SVTS B 03 +NEW	77mm (3.03 inch)	37
SVTS B 04 +NEW	70mm (2.76 inch)	37

Specifications subject to change.

SVTS B Series

Terminals Slip Rings



IP 65



Long-life



Power & signals



The most compact solution with fibre brush technology.

Thanks to the multiple contact points, the Terminals B Series Slip Rings ensures longer life due to the low contact wear rates, while granting low contact resistance.

Specially designed for intensive use at high speed and to transmit power and sensitive signals, like thermocouple ones, these rotary joints are particularly suitable for use on flowpack packaging machines ensuring a compact and reliable solution; the use of terminals type connectors avoids the use of welds that may affect the reading of thermocouple signals.

Moreover, the IP65 version makes it washable, delivering protection against low pressure jets if watered from all directions.

Benefits

Electrical power & signals in one unit

Compact

Long lifetime

Easy connection (Faston connectors)

Cost-effective

Water resistant (IP65)*

Main applications

Flowpack machines

Process control

Hose & cable reels

Rotating tables

Medical / pharmaceutical





















Converting






Packaging

Wind turbines

*Optional

Product code (go to page 9 for the detailed coding system)

SVTS B   -  -  -   /   -     /     -   -   

-  Series
-  Model
-  IP grade¹
-  Flange type
-  Power circuits
-  Signal circuits
-  Cable length (brush side)
-  Cable length (ring side)
-  Temperature range²
-  Special options

¹ IP51 [S]; IP65 [U]

² Standard [ST]; Extended [ET]

Features

Voltage	
Power	400 VAC / 400 VDC
Signals	240 VAC / 240 VDC
Dielectric voltage strength	500 VAC @ 60 Hz @ 60 sec
Insulation resistance	> 1000 MΩ / 500 VDC
Dynamic contact resistance	< 10 mΩ
Nominal speed	400 rpm
Bearings	High-precision stainless steel ball bearings
Housing	ABS; Aluminium; Stainless steel
Contact	Gold-gold (B01, B02); precious metals (B03, B04)
Temperature	-20°C to +80°C
Protection	IP51; IP65*
Expected lifetime	10 ⁸ revolutions (depending on speed, environmental conditions and size)

*Optional

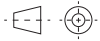
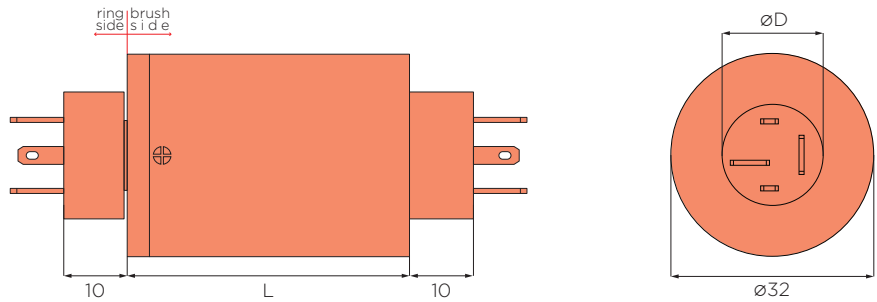
Combinations

Electric
Signals
Power

Customizations

Cables	Mechanical design	Materials

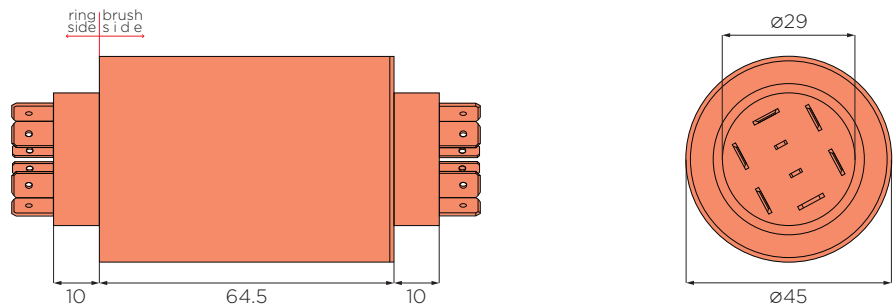
SVTS B 01



Model	Number of circuits					Dimensions		Terminals	
	Total	Power		Signals		D	L	Fastons	
		14A	20A	2A	5A			Power	Signals
SVTS B 01-S-A-02/00	2	2	-	-	-	16	28	0.8x6.3	-
SVTS B 01-S-A-03/00	3	3	-	-	-	16	28	0.8x6.3	-
SVTS B 01-S-A-02/02	4	2	-	2	-	16	28	0.8x6.3	0.8x2.8
SVTS B 01-U-A-02/00	2	-	2	-	-	20	44.5	0.8x6.3	0.8x2.8
SVTS B 01-U-A-03/00	3	-	3	-	-	20	44.5	0.8x6.3	0.8x2.8
SVTS B 01-U-A-02/02	4	-	2	-	2	20	44.5	0.8x6.3	0.8x2.8
SVTS B 01-U-A-02/03	5	-	2	-	3	20	44.5	0.8x6.3	0.8x2.8

IP65

SVTS B 02



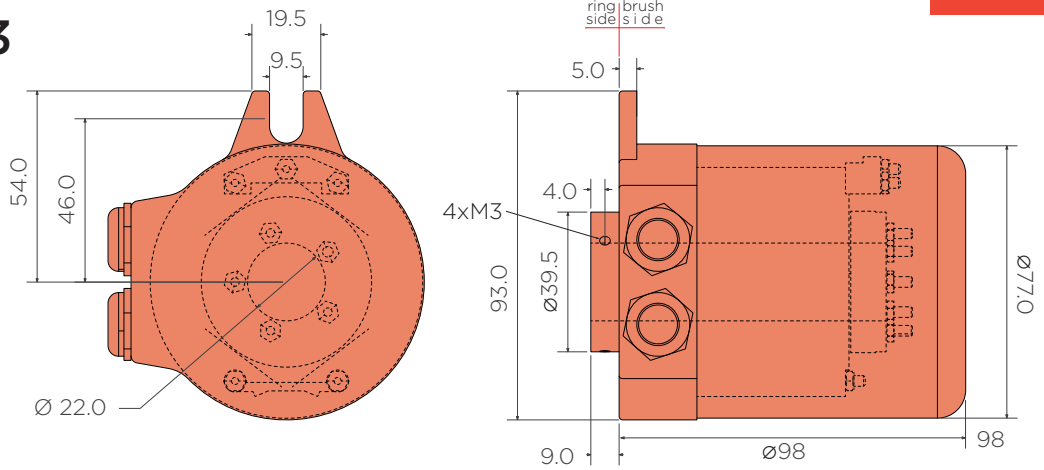
Model	Number of circuits					Terminals	
	Total	Power		Signals		Fastons	
		14A	20A	2A	5A	Power	Signals
SVTS B 02-S-A-06/00	6	-	6	-	-	0.8x6.3	-
SVTS B 02-S-A-06/02	8	-	6	-	2	0.8x6.3	0.8x2.8

All dimensions in millimeters, unless otherwise specified

+NEW

SVTS B 03

B Series

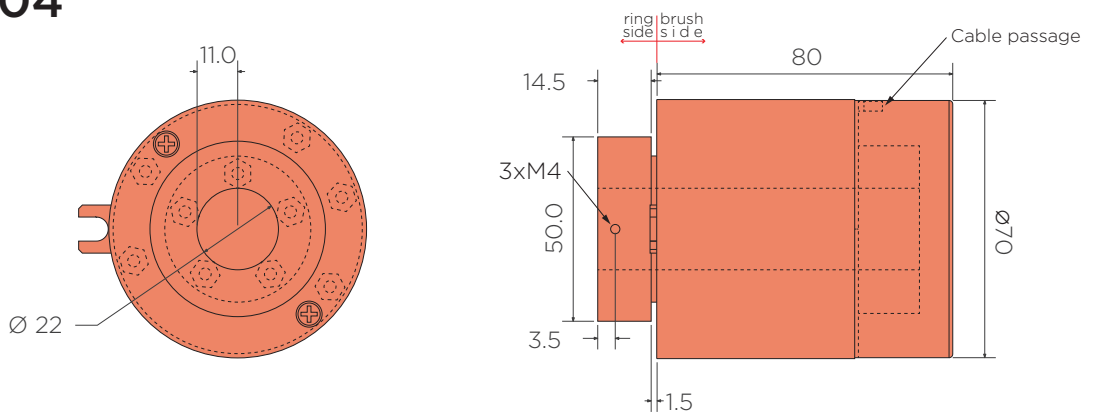


IP65 once installed

Model	Number of circuits		Power		Terminals Screw connections
	Total		20A	2A	
SVTS B 03-U-A-02/00	2		2	-	2xM5
SVTS B 03-U-A-03/00	3		3	-	3xM5
SVTS B 03-U-A-02/02	4		2	2	4xM5
SVTS B 03-U-A-03/02	5		3	2	5xM5

+NEW

SVTS B 04



Model	Number of circuits		Power		Terminals Screw connections
	Total		20A	2A	
SVTS B 04-S-A-02/00	2		2	0	M4
SVTS B 04-S-A-02/02	4		2	2	M4
SVTS B 04-S-A-03/00	3		3	0	M4
SVTS B 04-S-A-03/02	5		3	2	M4

All dimensions in millimeters, unless otherwise specified

Specifications subject to change.

SVTS C Series

Through-bore Slip Rings

Contents

Model	Throuh-bore	Page
SVTS C 01	3mm (0.12 inch)	42
SVTS C 02	4.5mm (0.18 inch)	42
SVTS C 03	12.7mm (0.50 inch)	43
SVTS C 04	25.4mm (1 inch)	44
SVTS C 04 - Ethernet +NEW	25.4mm (1 inch)	45
SVTS C 05	38.1mm (1.50 inch)	46
SVTS C 05 - Ethernet	38.1mm (1.50 inch)	46
SVTS C 05 - Single pneumatic passage	-	47
SVTS C 06	50mm (1.97 inch)	48
SVTS C 06 - Ethernet +NEW	50mm (1.97 inch)	49
SVTS C 07	60mm (2.36 inch)	50
SVTS C 08	70mm (2.76 inch)	51
SVTS C 09	80mm (3.15 inch)	52
SVTS C 10	90mm (3.54 inch)	53
SVTS C 11	100mm (3.94 inch)	54

SVTS C Series

Through-bore Slip Rings



Many customisations



Through-bore



Power, signals & fieldbus



The hollow shaft Slip Rings C Series provides an economical readily available solution when a compact through-bore configuration is required to be easily mounted on the customers' mechanics. Available in a wide range of sizes and models starting from 3 mm up to over 100 mm through-bore diameter. The use of fibre brush technology and the ability to use gold-gold technology for signal circuits ensure long life and low electrical noise allowing high data rate field bus transmission. The extreme flexibility of the C series rotary joints also makes it possible to customise configurations, such as for the use of special cables or connectors, at customer's request.

Benefits

Transmission of electric power/signals and fieldbuses in one unit

Mountable on the shaft

Many sizes

Many customisations

Combinable with fluidic rotary joints and FORJ

Cost-effective

Main applications

Packaging

Automatic machines

Filling machines

Capping machines

Labelling machines

Converting machines

Machine tools

Rotary tables

Robots



Palletisers

Medical / pharmaceutical

Cable reels

Product code (go to page 9 for the detailed coding system)

SVTS C   -  -  -   /   -     /     -   -   

-  Series
-  Model
-  IP grade¹
-  Flange type
-  Power circuits
-  Signal circuits
-  Cable length (brush side)
-  Cable length (ring side)
-  Temperature range²
-  Special options³

¹ IP51 [S]; IP54 [T]; IP65 [U]

² Standard [ST]; Extended [ET]

³ Pneumatic Ø6mm [OP1]; pneumatic Ø10mm [OP2]; Ethernet 100BaseT [E1M]; Ethernet 1000BaseT [E1G]

Features

Current	2A: AWG26 5A: AWG22 15A: AWG14 20A:AWG14
Voltage	
Power	600 VAC / 600 VDC
Signals	240 VAC / 240 VDC
Cables	Tin plated (power circuits); silver plated (signal circuits) PTFE insulated / colour coded
Cables length	Standard: 500mm*; custom cable length increase possible as multiples of 500mm*
Dielectric strength	
Power	1500 VAC @ 60Hz @ 60 sec
Signals	500 VAC @ 60Hz @ 60 sec
Insulation resistance	
Power	> 1000 MΩ / 500 VDC
Signals	> 500 MΩ / 500 VDC
Dynamic contact resistance	< 10 mΩ
Nominal speed	up to 500 rpm (others on request)
Bearings	Steel
Housing	ABS; Alluminium
Temperature	-20°C / +80°C (-40°C as option)
Protection	IP51 (IP54 and IP65 as option)
Expected lifetime	10 ⁸ revolutions** (depending on speed, environmental conditions and size)

*SVTS C 01, SVTS C 02: 250mm

**SVTS C01, SVTS C 02: 10⁷ revolutions

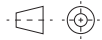
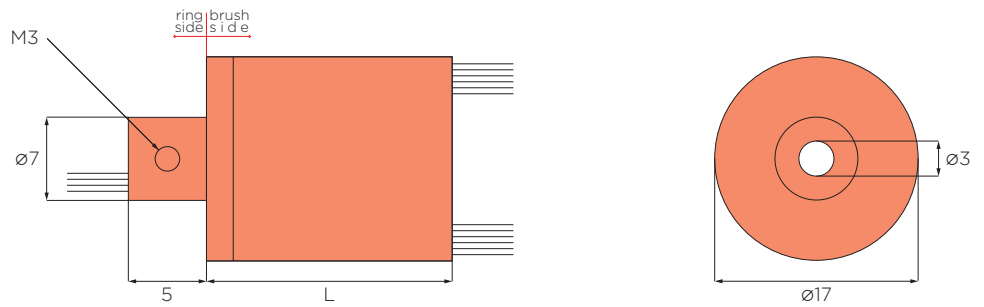
Combinations

Electric	Fieldbus	Fluidic (combined solutions)
Signals	Ethernet	Air
	Profinet	Oil
	Canbus	Gas
	RS 232	Water

Customizations

Cables	Mechanical design	Flange
Materials	Treatments	Cable exits

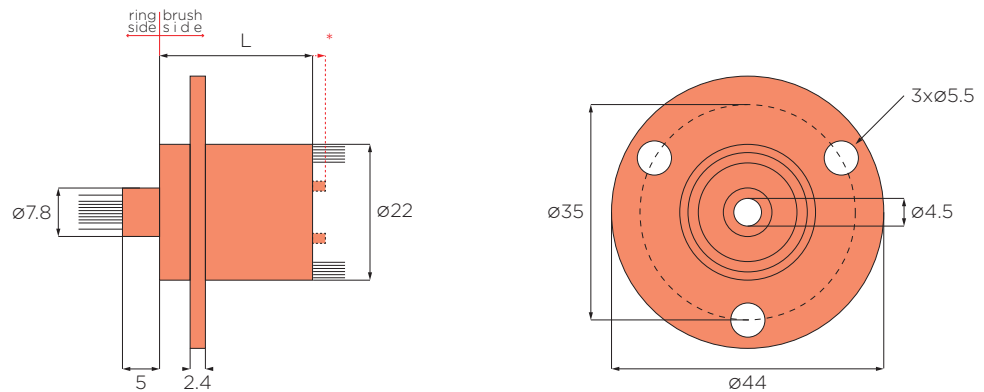
SVTS C 01



Custom cable length increase possible as multiples of 250mm

Model	Number of circuits			L	Color code p. 82
	Total	Power	Signals 2A		
SVTS C 01-S-A-00/02	2	-	2	13.3	CC 11
SVTS C 01-S-A-00/03	3	-	3	21	CC 11
SVTS C 01-S-A-00/06	6	-	6	21	CC 11
SVTS C 01-S-A-00/08	8	-	8	21	CC 11

SVTS C 02

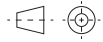
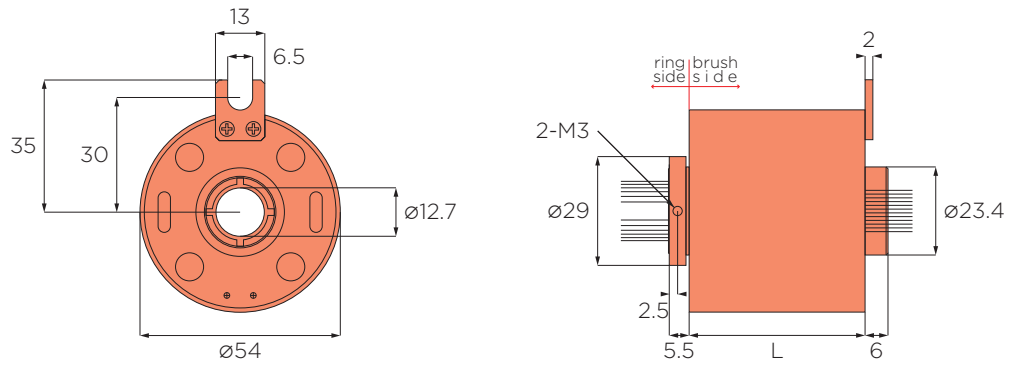


* SVTS C 02-S-A-00/12
Custom cable length increase possible as multiples of 250mm

Model	Number of circuits			L	Color code p. 82
	Total	Power	Signals 2A		
SVTS C 02-S-A-00/02	2	-	2	19.4	CC 1
SVTS C 02-S-A-00/06	6	-	6	19.4	CC 1
SVTS C 02-S-A-00/08	8	-	8	19.4	CC 1
SVTS C 02-S-A-00/12	12	-	12	26.6 *	CC 1

All dimensions in millimeters, unless otherwise specified

SVTS C 03

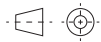
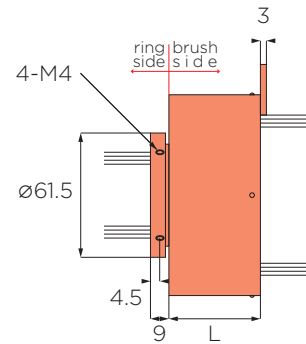
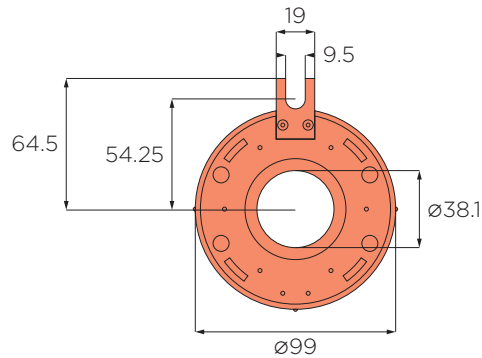


Custom cable length increase possible as multiples of 500mm

Model	Number of circuits			L		Color code	
	Total	Power	Signals	IP51	IP65	IP51	IP65
			5A			p. 82	
SVTS C 03-X-A-00/06	6	-	6	33.5	37.5	CC 5	CC 7
SVTS C 03-X-A-00/12	12	-	12	47.5	51.5	CC 5	CC 7
SVTS C 03-X-A-00/18	18	-	18	61.5	64.5	CC 5	CC 7
SVTS C 03-X-A-00/24	24	-	24	75.5	79.5	CC 5	CC 7

All dimensions in millimeters, unless otherwise specified

SVTS C 05



Custom cable length increase possible as multiples of 500mm

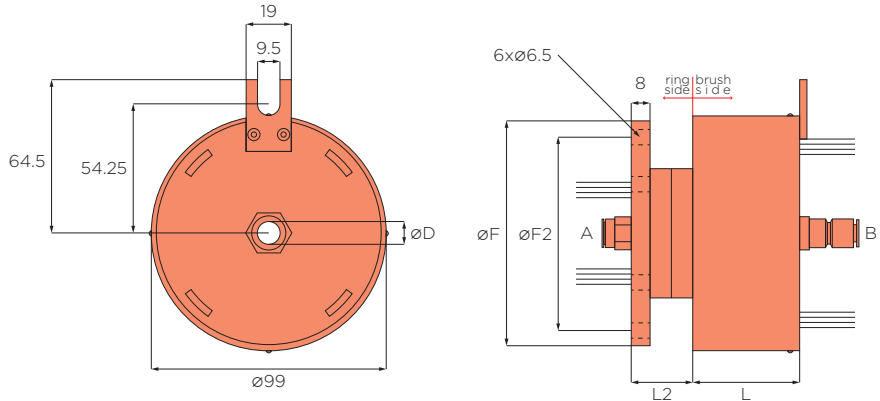
Model	Number of circuits			L		Color code	
	Total	Power 15A	Signals 2A	IP51	IP65	IP51 p. 82	IP65
SVTS C 05-X-A-06/00	6	6	-	45	65	CC 5	CC 7
SVTS C 05-X-A-00/12	12	-	12	45	65	CC 5	CC 7
SVTS C 05-X-A-12/00	12	12	-	69	89	CC 5	CC 7
SVTS C 05-X-A-06/12	18	6	12	69	89	CC 5	CC 7
SVTS C 05-X-A-00/24	24	-	24	69	89	CC 5	CC 7
SVTS C 05-X-A-18/00	18	18	-	93	113	CC 5	CC 7
SVTS C 05-X-A-12/12	24	12	12	93	113	CC 5	CC 7
SVTS C 05-X-A-06/24	30	6	24	93	113	CC 5	CC 7
SVTS C 05-X-A-00/36	36	-	36	93	113	CC 5	CC 7
SVTS C 05-X-A-24/00	24	24	-	117	137	CC 5	CC 7
SVTS C 05-X-A-18/12	30	18	12	117	137	CC 5	CC 7
SVTS C 05-X-A-12/24	36	12	24	117	137	CC 5	CC 7
SVTS C 05-X-A-06/36	42	6	36	117	137	CC 5	CC 7
SVTS C 05-X-A-00/48	48	-	48	117	137	CC 5	CC 7

Ethernet option*

Model	Number of circuits				L		Wiring color code	
	Total	Power 15A	Signal 2A	Ethernet	IP51	IP65	IP51 p. 82	IP65
SVTS C 05-x-A-00/00-...-E1M	5	-	-	100BaseT	45	65	CC 5	CC 7
SVTS C 05-x-A-06/00-...-E1M	11	6	-	100BaseT	69	89	CC 5	CC 7
SVTS C 05-x-A-00/12-...-E1M	17	-	12	100BaseT	69	89	CC 5	CC 7
SVTS C 05-x-A-12/00-...-E1M	17	12	-	100BaseT	93	113	CC 5	CC 7
SVTS C 05-x-A-06/12-...-E1M	23	6	12	100BaseT	93	113	CC 5	CC 7
SVTS C 05-x-A-00/24-...-E1M	29	-	24	100BaseT	93	113	CC 5	CC 7
SVTS C 05-x-A-18/00-...-E1M	23	18	-	100BaseT	117.5	137.5	CC 5	CC 7
SVTS C 05-x-A-12/12-...-E1M	29	12	12	100BaseT	117.5	137.5	CC 5	CC 7
SVTS C 05-x-A-06/24-...-E1M	35	6	24	100BaseT	117.5	137.5	CC 5	CC 7
SVTS C 05-x-A-00/36-...-E1M	41	-	36	100BaseT	117.5	137.5	CC 5	CC 7
SVTS C 05-x-A-24/00-...-E1M	29	24	-	100BaseT	141	161	CC 5	CC 7
SVTS C 05-x-A-18/12-...-E1M	35	18	12	100BaseT	141	161	CC 5	CC 7
SVTS C 05-x-A-12/24-...-E1M	41	12	24	100BaseT	141	161	CC 5	CC 7
SVTS C 05-x-A-06/36-...-E1M	47	6	36	100BaseT	141	161	CC 5	CC 7
SVTS C 05-x-A-00/48-...-E1M	53	-	48	100BaseT	141	161	CC 5	CC 7
SVTS C 05-x-A-00/00-...-E1G	18	9	-	1000BaseT	69	89	CC 5	CC 7
SVTS C 05-x-A-06/00-...-E1G	15	6	-	1000BaseT	93	113	CC 5	CC 7
SVTS C 05-x-A-00/12-...-E1G	21	-	12	1000BaseT	93	113	CC 5	CC 7
SVTS C 05-x-A-12/00-...-E1G	21	12	-	1000BaseT	117.5	137.5	CC 5	CC 7
SVTS C 05-x-A-06/12-...-E1G	27	6	12	1000BaseT	117.5	137.5	CC 5	CC 7
SVTS C 05-x-A-00/24-...-E1G	33	-	24	1000BaseT	117.5	137.5	CC 5	CC 7

*CAT5e Ethernet cable and CAT6 RJ45 connectors included

Single pneumatic passage option

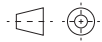
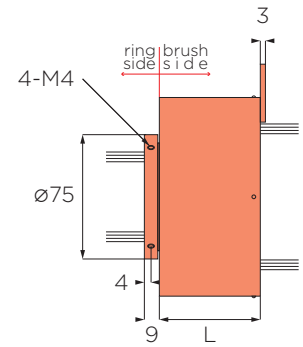
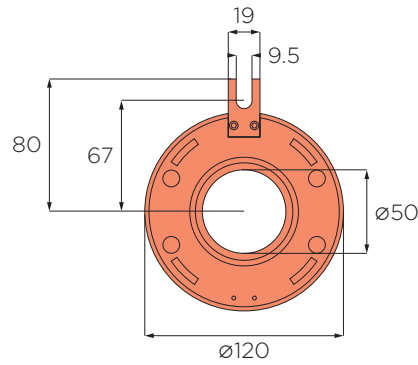


Custom cable length increase possible as multiples of 500mm

Model	N. of circuits			Dimensions								Color code		
	Total	Power	Signal	L		L2		D	F	F2		IP51	IP65	
				15A	2A	IP51	IP65			IP51	IP65			IP51
SVTS C 05-X-A-06/00-...-OP1	6	6	-	45	65	26	14	6	95	130	81	116	CC 5	CC 7
SVTS C 05-X-A-00/12-...-OP1	12	-	12	45	65	26	14	6	95	130	81	116	CC 5	CC 7
SVTS C 05-X-A-12/00-...-OP1	12	12	-	69	89	26	14	6	95	130	81	116	CC 5	CC 7
SVTS C 05-X-A-06/12-...-OP1	18	6	12	69	89	26	14	6	95	130	81	116	CC 5	CC 7
SVTS C 05-X-A-00/24-...-OP1	24	-	24	69	89	26	14	6	95	130	81	116	CC 5	CC 7
SVTS C 05-X-A-18/00-...-OP1	18	18	-	93	113	26	14	6	95	130	81	116	CC 5	CC 7
SVTS C 05-X-A-12/12-...-OP1	24	12	12	93	113	26	14	6	95	130	81	116	CC 5	CC 7
SVTS C 05-X-A-06/24-...-OP1	30	6	24	93	113	26	14	6	95	130	81	116	CC 5	CC 7
SVTS C 05-X-A-00/36-...-OP1	36	0	36	93	113	26	14	6	95	130	81	116	CC 5	CC 7
SVTS C 05-X-A-24/00-...-OP1	24	24	-	117.5	137.5	26	14	6	95	130	81	116	CC 5	CC 7
SVTS C 05-X-A-18/12-...-OP1	30	18	12	117.5	137.5	26	14	6	95	130	81	116	CC 5	CC 7
SVTS C 05-X-A-12/24-...-OP1	36	12	24	117.5	137.5	26	14	6	95	130	81	116	CC 5	CC 7
SVTS C 05-X-A-06/36-...-OP1	42	6	36	117.5	137.5	26	14	6	95	130	81	116	CC 5	CC 7
SVTS C 05-X-A-00/48-...-OP1	48	-	48	117.5	137.5	26	14	6	95	130	81	116	CC 5	CC 7
SVTS C 05-X-A-06/00-...-OP2	6	6	-	45	65	26	14	10	95	130	81	116	CC 5	CC 7
SVTS C 05-X-A-00/12-...-OP2	12	-	12	45	65	26	14	10	95	130	81	116	CC 5	CC 7
SVTS C 05-X-A-12/00-...-OP2	12	12	-	69	89	26	14	10	95	130	81	116	CC 5	CC 7
SVTS C 05-X-A-06/12-...-OP2	18	6	12	69	89	26	14	10	95	130	81	116	CC 5	CC 7
SVTS C 05-X-A-00/24-...-OP2	24	-	24	69	89	26	14	10	95	130	81	116	CC 5	CC 7
SVTS C 05-X-A-18/00-...-OP2	18	18	-	93	113	26	14	10	95	130	81	116	CC 5	CC 7
SVTS C 05-X-A-12/12-...-OP2	24	12	12	93	113	26	14	10	95	130	81	116	CC 5	CC 7
SVTS C 05-X-A-06/24-...-OP2	30	6	24	93	113	26	14	10	95	130	81	116	CC 5	CC 7
SVTS C 05-X-A-00/36-...-OP2	36	-	36	93	113	26	14	10	95	130	81	116	CC 5	CC 7
SVTS C 05-X-A-24/00-...-OP2	24	24	-	117.5	137.5	26	14	10	95	130	81	116	CC 5	CC 7
SVTS C 05-X-A-18/12-...-OP2	30	18	12	117.5	137.5	26	14	10	95	130	81	116	CC 5	CC 7
SVTS C 05-X-A-12/24-...-OP2	36	12	24	117.5	137.5	26	14	10	95	130	81	116	CC 5	CC 7
SVTS C 05-X-A-06/36-...-OP2	42	6	36	117.5	137.5	26	14	10	95	130	81	116	CC 5	CC 7
SVTS C 05-X-A-00/48-...-OP2	48	-	48	117.5	137.5	26	14	10	95	130	81	116	CC 5	CC 7

All dimensions in millimeters, unless otherwise specified

SVTS C 06



Custom cable length increase possible as multiples of 500mm

Model	Number of circuits			L		Color code	
	Total	Power 20A	Signals 5A	IP51	IP65	IP51 p. 82	IP65
SVTS C 06-X-A-06/00	6	6	-	60.5	81.5	CC 5	CC 7
SVTS C 06-X-A-00/12	12	-	12	60.5	81.5	CC 5	CC 7
SVTS C 06-X-A-12/00	12	12	-	90.5	111.5	CC 5	CC 7
SVTS C 06-X-A-06/12	18	6	12	90.5	111.5	CC 5	CC 7
SVTS C 06-X-A-00/24	24	-	24	90.5	111.5	CC 5	CC 7
SVTS C 06-X-A-18/00	18	18	-	120.5	141.5	CC 5	CC 7
SVTS C 06-X-A-12/12	24	12	12	120.5	141.5	CC 5	CC 7
SVTS C 06-X-A-06/24	30	6	24	120.5	141.5	CC 5	CC 7
SVTS C 06-X-A-00/36	36	-	36	120.5	141.5	CC 5	CC 7
SVTS C 06-X-A-24/00	24	24	-	150.5	171.5	CC 5	CC 7
SVTS C 06-X-A-18/12	30	18	12	150.5	171.5	CC 5	CC 7
SVTS C 06-X-A-12/24	36	12	24	150.5	171.5	CC 5	CC 7
SVTS C 06-X-A-06/36	42	6	36	150.5	171.5	CC 5	CC 7
SVTS C 06-X-A-00/48	48	-	48	150.5	171.5	CC 5	CC 7
SVTS C 06-X-A-30/00	30	30	-	180.5	201.5	CC 5	CC 7
SVTS C 06-X-A-24/12	36	24	12	180.5	201.5	CC 5	CC 7
SVTS C 06-X-A-18/24	42	18	24	180.5	201.5	CC 5	CC 7
SVTS C 06-X-A-12/36	48	12	36	180.5	201.5	CC 5	CC 7
SVTS C 06-X-A-06/48	54	6	48	180.5	201.5	CC 5	CC 7
SVTS C 06-X-A-00/60	60	-	60	180.5	201.5	CC 5	CC 7
SVTS C 06-X-A-36/00	36	36	-	210.5	231.5	CC 5	CC 7
SVTS C 06-X-A-30/12	42	30	12	210.5	231.5	CC 5	CC 7
SVTS C 06-X-A-24/24	48	24	24	210.5	231.5	CC 5	CC 7
SVTS C 06-X-A-18/36	54	18	36	210.5	231.5	CC 5	CC 7
SVTS C 06-X-A-12/48	60	12	48	210.5	231.5	CC 5	CC 7
SVTS C 06-X-A-06/60	66	6	60	210.5	231.5	CC 5	CC 7
SVTS C 06-X-A-18/36	54	18	36	210.5	231.5	CC 5	CC 7
SVTS C 06-X-A-12/48	60	12	48	210.5	231.5	CC 5	CC 7
SVTS C 06-X-A-06/60	66	6	60	210.5	231.5	CC 5	CC 7
SVTS C 06-X-A-00/72	72	-	72	210.5	231.5	CC 5	CC 7

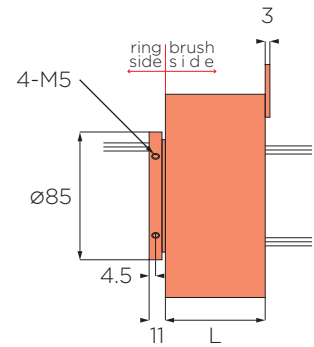
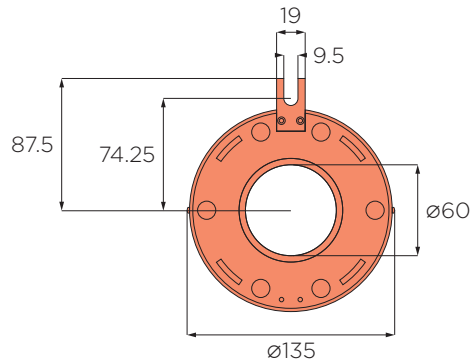
All dimensions in millimeters, unless otherwise specified

Ethernet option*

Model	Number of circuits				L		Color code	
	Total	Power	Signal	Ethernet	IP51	IP65	IP51	IP65
		20A	5A					
SVTS C 06-x-A-00/00-...-E1M	5	-	-	100BaseT	60.5	81.5	CC 5	CC 7
SVTS C 06-x-A-06/00-...-E1M	11	6	-	100BaseT	90.5	111.5	CC 5	CC 7
SVTS C 06-x-A-00/12-...-E1M	17	-	12	100BaseT	90.5	111.5	CC 5	CC 7
SVTS C 06-x-A-12/00-...-E1M	17	12	-	100BaseT	120.5	141.5	CC 5	CC 7
SVTS C 06-x-A-06/12-...-E1M	23	6	12	100BaseT	120.5	141.5	CC 5	CC 7
SVTS C 06-x-A-00/24-...-E1M	29	-	24	100BaseT	120.5	141.5	CC 5	CC 7
SVTS C 06-x-A-18/00-...-E1M	23	18	-	100BaseT	150.5	171.5	CC 5	CC 7
SVTS C 06-x-A-12/12-...-E1M	29	12	12	100BaseT	150.5	171.5	CC 5	CC 7
SVTS C 06-x-A-06/24-...-E1M	35	6	24	100BaseT	150.5	171.5	CC 5	CC 7
SVTS C 06-x-A-00/36-...-E1M	41	-	36	100BaseT	150.5	171.5	CC 5	CC 7
SVTS C 06-x-A-24/00-...-E1M	29	24	-	100BaseT	180.5	201.5	CC 5	CC 7
SVTS C 06-x-A-18/12-...-E1M	35	18	12	100BaseT	180.5	201.5	CC 5	CC 7
SVTS C 06-x-A-12/24-...-E1M	41	12	24	100BaseT	180.5	201.5	CC 5	CC 7
SVTS C 06-x-A-06/36-...-E1M	47	6	36	100BaseT	180.5	201.5	CC 5	CC 7
SVTS C 06-x-A-00/48-...-E1M	53	-	48	100BaseT	180.5	201.5	CC 5	CC 7
SVTS C 06-x-A-30/00-...-E1M	35	30	-	100BaseT	210.5	231.5	CC 5	CC 7
SVTS C 06-x-A-24/12-...-E1M	41	24	12	100BaseT	210.5	231.5	CC 5	CC 7
SVTS C 06-x-A-18/24-...-E1M	47	18	24	100BaseT	210.5	231.5	CC 5	CC 7
SVTS C 06-x-A-12/36-...-E1M	53	12	36	100BaseT	210.5	231.5	CC 5	CC 7
SVTS C 06-x-A-06/48-...-E1M	59	6	48	100BaseT	210.5	231.5	CC 5	CC 7
SVTS C 06-x-A-00/60-...-E1M	65	-	60	100BaseT	210.5	231.5	CC 5	CC 7

*CAT5e Ethernet cable and CAT6 RJ45 connectors included

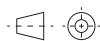
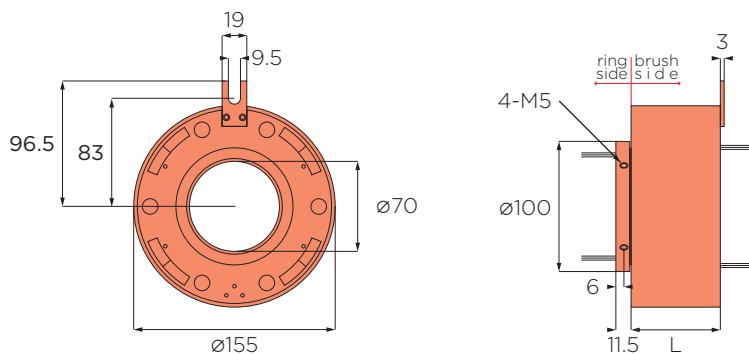
SVTS C 07



Custom cable length increase possible as multiples of 500mm

Model	Number of circuits			L		Color code	
	Total	Power 20A	Signals 5A	IP51	IP65	IP51 p. 82	IP65
SVTS C 07-X-A-06/00	6	6	-	66.5	80.5	CC 5	CC 7
SVTS C 07-X-A-00/12	12	-	12	66.5	80.5	CC 5	CC 7
SVTS C 07-X-A-12/00	12	12	-	96.5	110.5	CC 5	CC 7
SVTS C 07-X-A-06/12	18	6	12	96.5	110.5	CC 5	CC 7
SVTS C 07-X-A-00/24	24	-	24	96.5	110.5	CC 5	CC 7
SVTS C 07-X-A-18/00	18	18	-	126.5	140.5	CC 5	CC 7
SVTS C 07-X-A-12/12	24	12	12	126.5	140.5	CC 5	CC 7
SVTS C 07-X-A-06/24	30	6	24	126.5	140.5	CC 5	CC 7
SVTS C 07-X-A-00/36	36	-	36	126.5	140.5	CC 5	CC 7
SVTS C 07-X-A-24/00	24	24	-	156.5	170.5	CC 5	CC 7
SVTS C 07-X-A-18/12	30	18	12	156.5	170.5	CC 5	CC 7
SVTS C 07-X-A-12/24	36	12	24	156.5	170.5	CC 5	CC 7
SVTS C 07-X-A-06/36	42	6	36	156.5	170.5	CC 5	CC 7
SVTS C 07-X-A-00/48	48	-	48	156.5	170.5	CC 5	CC 7
SVTS C 07-X-A-30/00	30	30	-	186.5	200.5	CC 5	CC 7
SVTS C 07-X-A-24/12	36	24	12	186.5	200.5	CC 5	CC 7
SVTS C 07-X-A-18/24	42	18	24	186.5	200.5	CC 5	CC 7
SVTS C 07-X-A-12/36	48	12	36	186.5	200.5	CC 5	CC 7
SVTS C 07-X-A-06/48	54	6	48	186.5	200.5	CC 5	CC 7
SVTS C 07-X-A-00/60	60	-	60	186.5	200.5	CC 5	CC 7
SVTS C 07-X-A-36/00	36	36	-	216.5	230.5	CC 5	CC 7
SVTS C 07-X-A-30/12	42	30	12	216.5	230.5	CC 5	CC 7
SVTS C 07-X-A-24/24	48	24	24	216.5	230.5	CC 5	CC 7
SVTS C 07-X-A-18/36	54	18	36	216.5	230.5	CC 5	CC 7
SVTS C 07-X-A-12/48	60	12	48	216.5	230.5	CC 5	CC 7
SVTS C 07-X-A-06/60	66	6	60	216.5	230.5	CC 5	CC 7
SVTS C 07-X-A-00/72	72	-	72	216.5	230.5	CC 5	CC 7
SVTS C 07-X-A-42/00	42	42	-	246.5	260.5	CC 5	CC 7
SVTS C 07-X-A-36/12	48	36	12	246.5	260.5	CC 5	CC 7
SVTS C 07-X-A-30/24	54	30	24	246.5	260.5	CC 5	CC 7
SVTS C 07-X-A-24/36	60	24	36	246.5	260.5	CC 5	CC 7
SVTS C 07-X-A-18/48	66	18	48	246.5	260.5	CC 5	CC 7
SVTS C 07-X-A-12/60	72	12	60	246.5	260.5	CC 5	CC 7
SVTS C 07-X-A-06/72	78	6	72	246.5	260.5	CC 5	CC 7
SVTS C 07-X-A-00/84	84	-	84	246.5	260.5	CC 5	CC 7
SVTS C 07-X-A-48/00	48	48	-	276.5	290.5	CC 5	CC 7
SVTS C 07-X-A-42/12	54	42	12	276.5	290.5	CC 5	CC 7
SVTS C 07-X-A-36/24	60	36	24	276.5	290.5	CC 5	CC 7
SVTS C 07-X-A-30/36	66	30	36	276.5	290.5	CC 5	CC 7
SVTS C 07-X-A-24/48	72	24	48	276.5	290.5	CC 5	CC 7
SVTS C 07-X-A-18/60	78	18	60	276.5	290.5	CC 5	CC 7
SVTS C 07-X-A-12/72	84	12	72	276.5	290.5	CC 5	CC 7
SVTS C 07-X-A-06/84	90	6	84	276.5	290.5	CC 5	CC 7
SVTS C 07-X-A-00/96	96	-	96	276.5	290.5	CC 5	CC 7

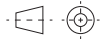
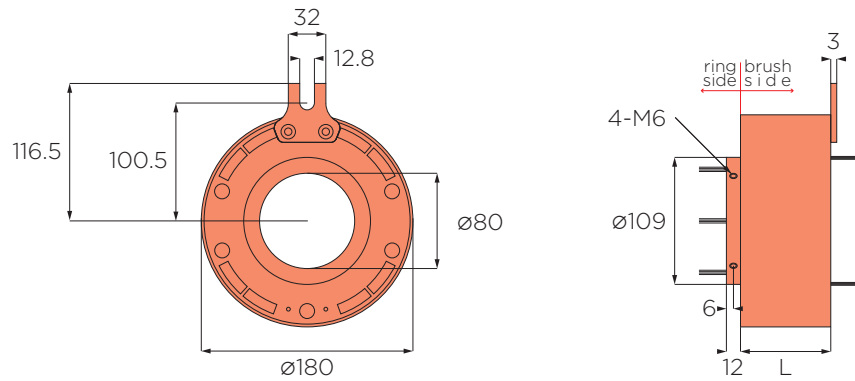
SVTS C 08



Custom cable length increase possible as multiples of 500mm

Model	Number of circuits			L		Color code	
	Total	Power 20A	Signals 5A	IP51	IP65	IP51 p. 82	IP65
SVTS C 08-X-A-06/00	6	6	-	69.3	93.3	CC 5	CC 7
SVTS C 08-X-A-00/12	12	-	12	69.3	93.3	CC 5	CC 7
SVTS C 08-X-A-12/00	12	12	-	99.3	123.3	CC 5	CC 7
SVTS C 08-X-A-06/12	18	6	12	99.3	123.3	CC 5	CC 7
SVTS C 08-X-A-00/24	24	-	24	99.3	123.3	CC 5	CC 7
SVTS C 08-X-A-18/00	18	18	-	129.3	153.3	CC 5	CC 7
SVTS C 08-X-A-12/12	24	12	12	129.3	153.3	CC 5	CC 7
SVTS C 08-X-A-06/24	30	6	24	129.3	153.3	CC 5	CC 7
SVTS C 08-X-A-00/36	36	-	36	129.3	153.3	CC 5	CC 7
SVTS C 08-X-A-24/00	24	24	-	159.3	183.3	CC 5	CC 7
SVTS C 08-X-A-18/12	30	18	12	159.3	183.3	CC 5	CC 7
SVTS C 08-X-A-12/24	36	12	24	159.3	183.3	CC 5	CC 7
SVTS C 08-X-A-06/36	42	6	36	159.3	183.3	CC 5	CC 7
SVTS C 08-X-A-00/48	48	-	48	159.3	183.3	CC 5	CC 7
SVTS C 08-X-A-30/00	30	30	-	189.3	213.3	CC 5	CC 7
SVTS C 08-X-A-24/12	36	24	12	189.3	213.3	CC 5	CC 7
SVTS C 08-X-A-18/24	42	18	24	189.3	213.3	CC 5	CC 7
SVTS C 08-X-A-12/36	48	12	36	189.3	213.3	CC 5	CC 7
SVTS C 08-X-A-06/48	54	6	48	189.3	213.3	CC 5	CC 7
SVTS C 08-X-A-00/60	60	-	60	189.3	213.3	CC 5	CC 7
SVTS C 08-X-A-36/00	36	36	-	220	244	CC 5	CC 7
SVTS C 08-X-A-30/12	42	30	12	220	244	CC 5	CC 7
SVTS C 08-X-A-24/24	48	24	24	220	244	CC 5	CC 7
SVTS C 08-X-A-18/36	54	18	36	220	244	CC 5	CC 7
SVTS C 08-X-A-12/48	60	12	48	220	244	CC 5	CC 7
SVTS C 08-X-A-06/60	66	6	60	220	244	CC 5	CC 7
SVTS C 08-X-A-00/72	72	-	72	220	244	CC 5	CC 7
SVTS C 08-X-A-42/00	42	42	-	250	274	CC 5	CC 7
SVTS C 08-X-A-36/12	48	36	12	250	274	CC 5	CC 7
SVTS C 08-X-A-30/24	54	30	24	250	274	CC 5	CC 7
SVTS C 08-X-A-24/36	60	24	36	250	274	CC 5	CC 7
SVTS C 08-X-A-18/48	66	18	48	250	274	CC 5	CC 7
SVTS C 08-X-A-12/60	72	12	60	250	274	CC 5	CC 7
SVTS C 08-X-A-06/72	78	6	72	250	274	CC 5	CC 7
SVTS C 08-X-A-00/84	84	-	84	250	274	CC 5	CC 7
SVTS C 08-X-A-48/00	48	48	-	280	304	CC 5	CC 7
SVTS C 08-X-A-42/12	54	42	12	280	304	CC 5	CC 7
SVTS C 08-X-A-36/24	60	36	24	280	304	CC 5	CC 7
SVTS C 08-X-A-30/36	66	30	36	280	304	CC 5	CC 7
SVTS C 08-X-A-24/48S	72	24	48	280	304	CC 5	CC 7
SVTS C 08-X-A-18/60	48	18	60	280	304	CC 5	CC 7
SVTS C 08-X-A-12/72	84	12	72	280	304	CC 5	CC 7
SVTS C 08-X-A-06/84	90	6	84	280	304	CC 5	CC 7
SVTS C 08-X-A-00/96	96	-	96	280	304	CC 5	CC 7

SVTS C 09

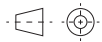
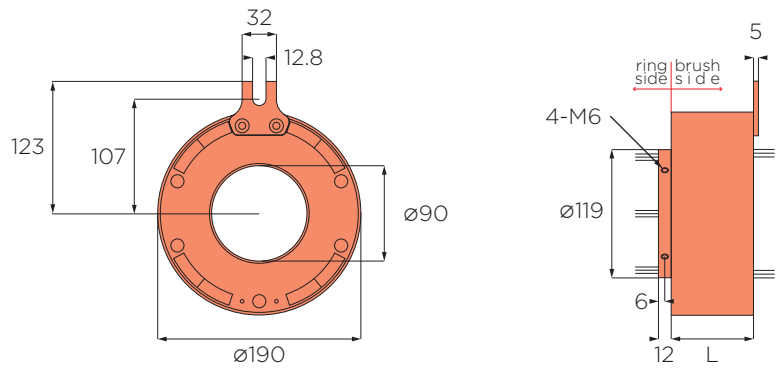


Custom cable length increase possible as multiples of 500mm

Model	Number of circuits			L		Color code	
	Total	Power 20A	Signals 5A	IP51	IP65	IP51 p. 82	IP65
SVTS C 09-X-A-06/00	6	6	-	76.5	109	CC 5	CC 7
SVTS C 09-X-A-00/12	12	-	12	76.5	109	CC 5	CC 7
SVTS C 09-X-A-12/00	12	12	-	106.5	139	CC 5	CC 7
SVTS C 09-X-A-06/12	18	6	12	106.5	139	CC 5	CC 7
SVTS C 09-X-A-00/24	24	-	24	106.5	139	CC 5	CC 7
SVTS C 09-X-A-18/00	18	18	-	136.5	169	CC 5	CC 7
SVTS C 09-X-A-12/12	24	12	12	136.5	169	CC 5	CC 7
SVTS C 09-X-A-06/24	30	6	24	136.5	169	CC 5	CC 7
SVTS C 09-X-A-00/36	36	-	36	136.5	169	CC 5	CC 7
SVTS C 09-X-A-24/00	24	24	-	136.5	199	CC 5	CC 7
SVTS C 09-X-A-18/12	30	18	12	136.5	199	CC 5	CC 7
SVTS C 09-X-A-12/24	36	12	24	136.5	199	CC 5	CC 7
SVTS C 09-X-A-06/36	42	6	36	136.5	199	CC 5	CC 7
SVTS C 09-X-A-00/48	48	-	48	136.5	199	CC 5	CC 7
SVTS C 09-X-A-30/00	30	30	-	196.5	229	CC 5	CC 7
SVTS C 09-X-A-24/12	36	24	12	196.5	229	CC 5	CC 7
SVTS C 09-X-A-18/24	42	18	24	196.5	229	CC 5	CC 7
SVTS C 09-X-A-12/36	48	12	36	196.5	229	CC 5	CC 7
SVTS C 09-X-A-06/48	54	6	48	196.5	229	CC 5	CC 7
SVTS C 09-X-A-00/60	60	-	60	196.5	229	CC 5	CC 7
SVTS C 09-X-A-36/00	36	36	-	227	259	CC 5	CC 7
SVTS C 09-X-A-30/12	42	30	12	227	259	CC 5	CC 7
SVTS C 09-X-A-24/24	48	24	24	227	259	CC 5	CC 7
SVTS C 09-X-A-18/36	54	18	36	227	259	CC 5	CC 7
SVTS C 09-X-A-12/48	60	12	48	227	259	CC 5	CC 7
SVTS C 09-X-A-06/60	66	6	60	227	259	CC 5	CC 7
SVTS C 09-X-A-00/72	72	-	72	227	259	CC 5	CC 7
SVTS C 09-X-A-42/00	42	42	-	257	289	CC 5	CC 7
SVTS C 09-X-A-36/12	48	36	12	257	289	CC 5	CC 7
SVTS C 09-X-A-30/24	54	30	24	257	289	CC 5	CC 7
SVTS C 09-X-A-24/36	60	24	36	257	289	CC 5	CC 7
SVTS C 09-X-A-18/48	66	18	48	257	289	CC 5	CC 7
SVTS C 09-X-A-12/60	72	12	60	257	289	CC 5	CC 7
SVTS C 09-X-A-06/72	78	6	72	257	289	CC 5	CC 7
SVTS C 09-X-A-00/84	84	-	84	257	289	CC 5	CC 7
SVTS C 09-X-A-48/00	48	48	-	287	319	CC 5	CC 7
SVTS C 09-X-A-42/12	54	42	12	287	319	CC 5	CC 7
SVTS C 09-X-A-36/24	60	36	24	287	319	CC 5	CC 7
SVTS C 09-X-A-30/36	66	30	36	287	319	CC 5	CC 7
SVTS C 09-X-A-24/48	72	24	48	287	319	CC 5	CC 7
SVTS C 09-X-A-18/60	78	18	60	287	319	CC 5	CC 7
SVTS C 09-X-A-12/72	84	12	72	287	319	CC 5	CC 7
SVTS C 09-X-A-06/84	90	6	84	287	319	CC 5	CC 7
SVTS C 09-X-A-00/96	96	-	96	287	319	CC 5	CC 7

All dimensions in millimeters, unless otherwise specified

SVTS C 10

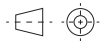
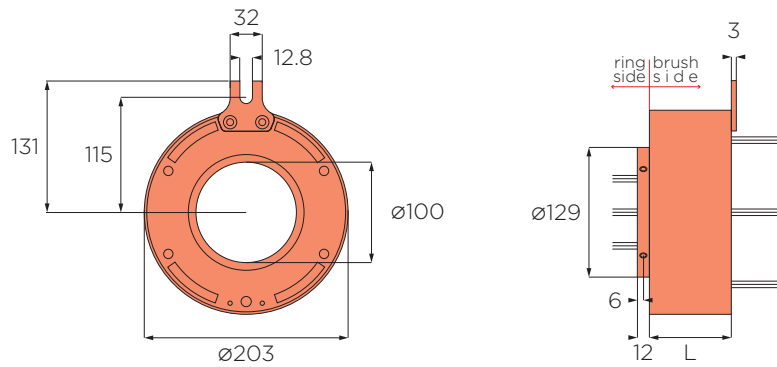


Custom cable length increase possible as multiples of 500mm

Model	Number of circuits			L		Color code	
	Total	Power 20A	Signals 5A	IP51	IP65	IP51 p. 82	IP65
SVTS C 10-X-A-06/00	6	6	-	76.5	105	CC 5	CC 7
SVTS C 10-X-A-00/12	12	-	12	76.5	105	CC 5	CC 7
SVTS C 10-X-A-12/00	12	12	-	106.5	135	CC 5	CC 7
SVTS C 10-X-A-06/12	18	6	12	106.5	135	CC 5	CC 7
SVTS C 10-X-A-00/24	24	-	24	106.5	135	CC 5	CC 7
SVTS C 10-X-A-18/00	18	18	-	106.5	165	CC 5	CC 7
SVTS C 10-X-A-12/12	24	12	12	136.5	165	CC 5	CC 7
SVTS C 10-X-A-06/24	30	6	24	136.5	165	CC 5	CC 7
SVTS C 10-X-A-00/36	36	-	36	136.5	165	CC 5	CC 7
SVTS C 10-X-A-24/00	24	24	-	136.5	195	CC 5	CC 7
SVTS C 10-X-A-18/12	30	18	12	136.5	195	CC 5	CC 7
SVTS C 10-X-A-12/24	36	12	24	136.5	195	CC 5	CC 7
SVTS C 10-X-A-06/36	42	6	36	136.5	195	CC 5	CC 7
SVTS C 10-X-A-00/48	48	-	48	136.5	195	CC 5	CC 7
SVTS C 10-X-A-30/00	30	30	-	196.5	225	CC 5	CC 7
SVTS C 10-X-A-24/12	36	24	12	196.5	225	CC 5	CC 7
SVTS C 10-X-A-18/24	42	18	24	196.5	225	CC 5	CC 7
SVTS C 10-X-A-12/36	48	12	36	196.5	225	CC 5	CC 7
SVTS C 10-X-A-06/48	54	6	48	196.5	225	CC 5	CC 7
SVTS C 10-X-A-00/60	60	-	60	196.5	225	CC 5	CC 7
SVTS C 10-X-A-36/00	36	36	-	227	255.5	CC 5	CC 7
SVTS C 10-X-A-30/12	42	30	12	227	255.5	CC 5	CC 7
SVTS C 10-X-A-24/24	48	24	24	227	255.5	CC 5	CC 7
SVTS C 10-X-A-18/36	54	18	36	227	255.5	CC 5	CC 7
SVTS C 10-X-A-12/48	60	12	48	227	255.5	CC 5	CC 7
SVTS C 10-X-A-06/60	66	6	60	227	255.5	CC 5	CC 7
SVTS C 10-X-A-00/72	72	-	72	227	255.5	CC 5	CC 7
SVTS C 10-X-A-42/00	42	42	-	257	285.5	CC 5	CC 7
SVTS C 10-X-A-36/12	48	36	12	257	285.5	CC 5	CC 7
SVTS C 10-X-A-30/24	54	30	24	257	285.5	CC 5	CC 7
SVTS C 10-X-A-24/36	60	24	36	257	285.5	CC 5	CC 7
SVTS C 10-X-A-18/48	66	18	48	257	285.5	CC 5	CC 7
SVTS C 10-X-A-12/60	72	12	60	257	285.5	CC 5	CC 7
SVTS C 10-X-A-06/72	78	6	72	257	285.5	CC 5	CC 7
SVTS C 10-X-A-00/84	84	-	84	257	285.5	CC 5	CC 7
SVTS C 10-X-A-48/00	48	48	-	287	315.5	CC 5	CC 7
SVTS C 10-X-A-42/12	54	42	12	287	315.5	CC 5	CC 7
SVTS C 10-X-A-36/24	60	36	24	287	315.5	CC 5	CC 7
SVTS C 10-X-A-30/36	66	30	36	287	315.5	CC 5	CC 7
SVTS C 10-X-A-24/48	72	24	48	287	315.5	CC 5	CC 7
SVTS C 10-X-A-18/60	78	18	60	287	315.5	CC 5	CC 7
SVTS C 10-X-A-12/72	84	12	72	287	315.5	CC 5	CC 7
SVTS C 10-X-A-06/84	90	6	84	287	315.5	CC 5	CC 7
SVTS C 10-X-A-00/96	96	-	96	287	315.5	CC 5	CC 7

All dimensions in millimeters, unless otherwise specified

SVTS C 11



Custom cable length increase possible as multiples of 500mm

Model	Number of circuits			L		Color code	
	Total	Power 20A	Signals 5A	IP51	IP65	IP51 p. 82	IP65
SVTS C 11-X-A-06/00	6	6	-	81.5	106.5	CC 6	CC 8
SVTS C 11-X-A-00/10	10	-	10	81.5	106.5	CC 6	CC 8
SVTS C 11-X-A-12/00	12	12	-	113	138	CC 6	CC 8
SVTS C 11-X-A-06/10	16	6	10	113	138	CC 6	CC 8
SVTS C 11-X-A-00/20	20	-	20	113	138	CC 6	CC 8
SVTS C 11-X-A-18/00	18	18	-	144.5	169.5	CC 6	CC 8
SVTS C 11-X-A-12/10	22	12	10	144.5	169.5	CC 6	CC 8
SVTS C 11-X-A-06/20	26	6	20	144.5	169.5	CC 6	CC 8
SVTS C 11-X-A-00/30	30	-	30	144.5	169.5	CC 6	CC 8
SVTS C 11-X-A-24/00	24	24	-	176	201	CC 6	CC 8
SVTS C 11-X-A-18/10	28	18	10	176	201	CC 6	CC 8
SVTS C 11-X-A-12/20	32	12	20	176	201	CC 6	CC 8
SVTS C 11-X-A-06/30	36	6	30	176	201	CC 6	CC 8
SVTS C 11-X-A-00/40	40	-	40	176	201	CC 6	CC 8
SVTS C 11-X-A-30/00	30	30	-	207.5	232.5	CC 6	CC 8
SVTS C 11-X-A-24/10	34	24	10	207.5	232.5	CC 6	CC 8
SVTS C 11-X-A-18/20	38	18	20	207.5	232.5	CC 6	CC 8
SVTS C 11-X-A-12/30	42	12	30	207.5	232.5	CC 6	CC 8
SVTS C 11-X-A-06/40	46	6	40	207.5	232.5	CC 6	CC 8
SVTS C 11-X-A-00/50	50	-	50	207.5	232.5	CC 6	CC 8
SVTS C 11-X-A-36/00	36	36	-	239	264	CC 6	CC 8
SVTS C 11-X-A-30/10	40	30	10	239	264	CC 6	CC 8
SVTS C 11-X-A-24/20	44	24	20	239	264	CC 6	CC 8
SVTS C 11-X-A-18/30	48	18	30	239	264	CC 6	CC 8
SVTS C 11-X-A-12/40	52	12	40	239	264	CC 6	CC 8
SVTS C 11-X-A-06/50	56	6	50	239	264	CC 6	CC 8
SVTS C 11-X-A-00/60	60	-	60	239	264	CC 6	CC 8
SVTS C 11-X-A-42/00	42	42	-	270.5	295.5	CC 6	CC 8
SVTS C 11-X-A-36/10	46	36	10	270.5	295.5	CC 6	CC 8
SVTS C 11-X-A-30/20	50	30	20	270.5	295.5	CC 6	CC 8
SVTS C 11-X-A-24/30	54	24	30	270.5	295.5	CC 6	CC 8
SVTS C 11-X-A-18/40	58	18	40	270.5	295.5	CC 6	CC 8
SVTS C 11-X-A-12/50	62	12	50	270.5	295.5	CC 6	CC 8
SVTS C 11-X-A-06/60	66	6	60	270.5	295.5	CC 6	CC 8
SVTS C 11-X-A-00/70	70	-	70	270.5	295.5	CC 6	CC 8
SVTS C 11-X-A-48/00	48	48	-	302	327	CC 6	CC 8
SVTS C 11-X-A-42/10	52	42	10	302	327	CC 6	CC 8
SVTS C 11-X-A-36/20	56	36	20	302	327	CC 6	CC 8
SVTS C 11-X-A-30/30	60	30	30	302	327	CC 6	CC 8
SVTS C 11-X-A-24/40	64	24	40	302	327	CC 6	CC 8
SVTS C 11-X-A-18/50	68	18	50	302	327	CC 6	CC 8
SVTS C 11-X-A-12/60	72	12	60	302	327	CC 6	CC 8
SVTS C 11-X-A-06/70	76	6	70	302	327	CC 6	CC 8
SVTS C 11-X-A-00/80	80	-	80	302	327	CC 6	CC 8

All dimensions in millimeters, unless otherwise specified



Notes

SVTS D Series

Ruggedized Slip Rings

Contents

Model	Out ø	Page
SVTS D 01	75mm (2.95 inch)	60
SVTS D 02	87mm (3.43 inch)	61

SVTS D Series

Ruggedized Slip Rings



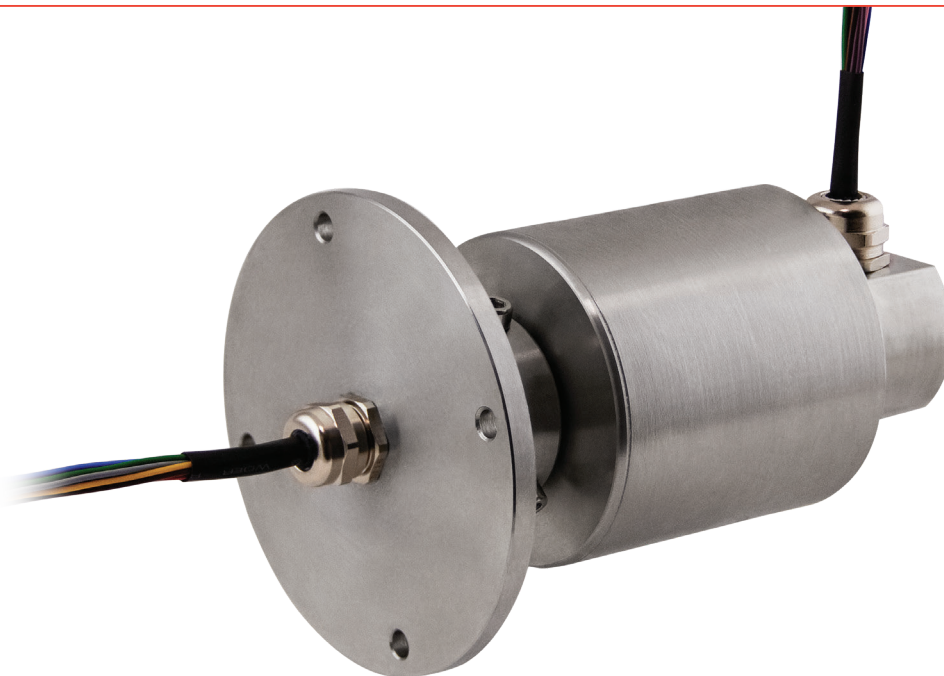
Robust



IP 65



Power, signals & fieldbus



The robust D Series Slip Rings have a stainless steel/aluminium housing and cable fittings on the slip ring inlet and outlet.

Particularly suitable for harsh environments where environmental conditions require sturdy objects and suitable materials for the food & beverage industry.

The use of fibre brush and gold-gold technology in the D series rotary joints, ensures a long life and high-quality signal transmission.

Benefits

Robust mechanical construction

Transmission of electric power/signals and fieldbuses in one unit

Water resistant IP65 (standard)

Many sizes

Many customisations

Combinable with fluidic rotary joints and FORJ

Main applications

Fillin & labelling machines

Capping machines

Converting machines

Automatic machines

Hose reels

Machine tools

Medical systems

Packaging

Printing machines

Process control

Robots

Rotary tables

Product code (go to page 9 for the detailed coding system)

SVTS D - - - / - / - -

- Series
- Model
- IP grade¹
- Flange type
- Power circuits
- Signal circuits
- Cable length (brush side)
- Cable length (ring side)
- Temperature range²
- Special options

¹ Only IP65 [U]

² Standard [ST]; Extended [ET]

Features

Current	2A: AWG26 5A: AWG22 15A: AWG14
Voltage	
Power	600 VAC / 600 VDC
Signals	240 VAC / 240 VDC
Cables	Tin plated (power circuits); silver plated (signal circuits) PTFE insulated / colour coded
Cables length	Standard: 500mm; custom cable length increase possible as multiples of 500mm
Dielectric strength	
Power	1500 VAC @ 60Hz @ 60 sec
Signals	500 VAC @ 60Hz @ 60 sec
Insulation resistance	
Power	> 1000 MΩ / 500 VDC
Signals	> 500 MΩ / 500 VDC
Dynamic contact resistance	< 10 mΩ
Nominal speed	up to 500 rpm (others on request)
Bearings	Steel
Housing	Stainless steel
Temperature	-20°C / +80°C (-40°C as option)
Protection	IP65
Expected lifetime	10 ⁸ revolutions (depending on speed, environmental conditions and size)

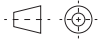
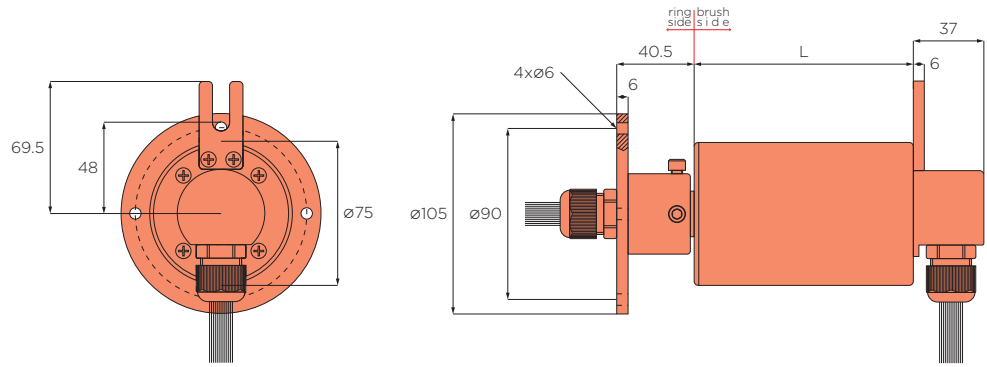
Combinations

Electric	Fieldbus	Fluidic (combined solutions)
Signals	EtherCAT	Air
Power	Profinet	Oil
	Sercos	Gas
	Powerlink	Water
	Ethernet	
	Canbus	

Customizations

Cables	Mechanical design	Flange
Materials	Treatments	Cable exits

SVTS D 01

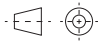
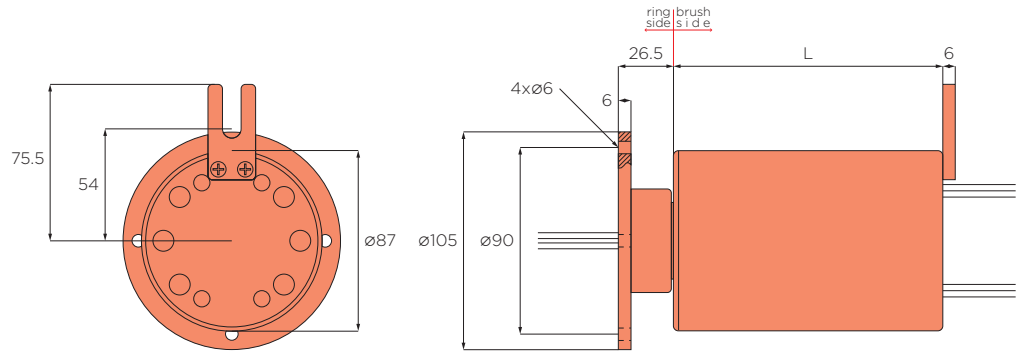


Custom cable length increase possible as multiples of 500mm

Model	Number of circuits		L	PG type	Color code p. 82
	Total	Power Signals 5A			
SVTS D 01-U-A-00/06	6	-	63	PG7	CC 7
SVTS D 01-U-A-00/12	12	-	77	PG9	CC 7
SVTS D 01-U-A-00/18	18	-	91	PG11	CC 7
SVTS D 01-U-A-00/24	24	-	105	PG16	CC 7
SVTS D 01-U-A-00/30	30	-	119	-	CC 7
SVTS D 01-U-A-00/36	36	-	133	-	CC 7
SVTS D 01-U-A-00/42	42	-	147	-	CC 7
SVTS D 01-U-A-00/48	48	-	161	-	CC 7

All dimensions in millimeters, unless otherwise specified

SVTS D 02



Custom cable length increase possible as multiples of 500mm

Model	Number of circuits			L	Color code p. 82
	Total	Power 15A	Signals 2A		
SVTS D 02-U-A-06/00	6	6	-	59	CC 7
SVTS D 02-U-A-00/12	12	-	12	59	CC 7
SVTS D 02-U-A-12/00	12	12	-	83	CC 7
SVTS D 02-U-A-06/12	18	6	12	83	CC 7
SVTS D 02-U-A-00/24	24	-	24	83	CC 7
SVTS D 02-U-A-18/00	18	18	-	106	CC 7
SVTS D 02-U-A-12/12	24	12	12	106	CC 7
SVTS D 02-U-A-06/24	30	6	24	106	CC 7
SVTS D 02-U-A-00/36	36	-	36	106	CC 7
SVTS D 02-U-A-24/00	24	24	-	130	CC 7
SVTS D 02-U-A-18/12	30	18	12	130	CC 7
SVTS D 02-U-A-12/24	36	12	24	130	CC 7
SVTS D 02-U-A-06/36	42	6	36	130	CC 7
SVTS D 02-U-A-00/48	48	-	48	130	CC 7
SVTS D 02-U-A-30/00	30	30	-	154	CC 7
SVTS D 02-U-A-24/12	36	24	12	154	CC 7
SVTS D 02-U-A-18/24	42	18	24	154	CC 7
SVTS D 02-U-A-12/36	48	12	36	154	CC 7
SVTS D 02-U-A-06/48	54	6	48	154	CC 7
SVTS D 02-U-A-00/60	60	-	60	154	CC 7
SVTS D 02-U-A-36/00	36	36	-	178	CC 7
SVTS D 02-U-A-30/12	42	30	12	178	CC 7
SVTS D 02-U-A-24/24	48	24	24	178	CC 7
SVTS D 02-U-A-18/36	54	18	36	178	CC 7
SVTS D 02-U-A-12/48	60	12	48	178	CC 7
SVTS D 02-U-A-06/60	66	6	60	178	CC 7
SVTS D 02-U-A-00/72	72	-	72	178	CC 7
SVTS D 02-U-A-42/00	42	42	-	202	CC 7
SVTS D 02-U-A-36/12	48	36	12	202	CC 7
SVTS D 02-U-A-30/24	54	30	24	202	CC 7
SVTS D 02-U-A-24/36	60	24	36	202	CC 7
SVTS D 02-U-A-18/48	66	18	48	202	CC 7
SVTS D 02-U-A-12/60	72	12	60	202	CC 7
SVTS D 02-U-A-06/72	78	6	72	202	CC 7
SVTS D 02-U-A-00/84	84	-	84	202	CC 7
SVTS D 02-U-A-48/00	48	48	-	237	CC 7
SVTS D 02-U-A-42/12	54	42	12	237	CC 7
SVTS D 02-U-A-36/24	60	36	24	237	CC 7
SVTS D 02-U-A-30/36	66	30	36	237	CC 7
SVTS D 02-U-A-24/48	72	24	48	237	CC 7
SVTS D 02-U-A-18/60	78	18	60	237	CC 7
SVTS D 02-U-A-12/72	84	12	72	237	CC 7
SVTS D 02-U-A-06/84	90	6	84	237	CC 7
SVTS D 02-U-A-00/96	96	-	96	237	CC 7

All dimensions in millimeters, unless otherwise specified

SVTS E Series

Open Slip Rings

Contents

Model	Through-bore	Page
SVTS E 01	25.4mm (1 inch)	66
SVTS E 02	38.1mm (1.19 inch)	66
SVTS E 03	50mm (2 inch)	67
SVTS E 04	60mm (2.36 inch)	67

SVTS E Series

Open Slip Rings



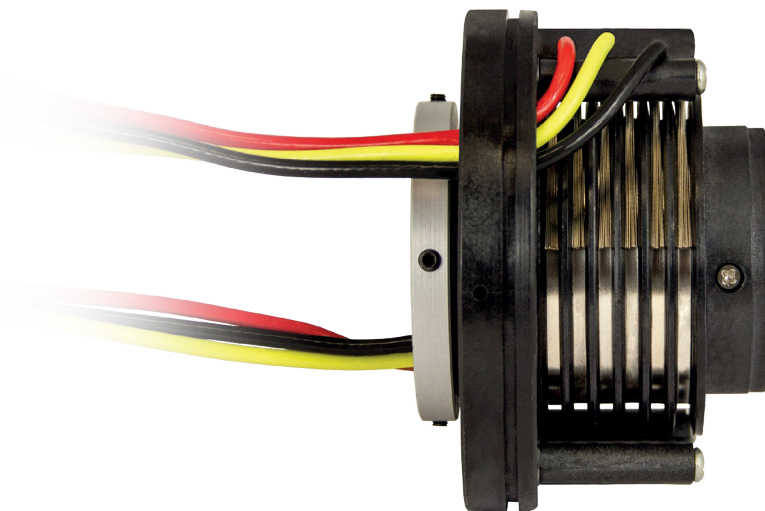
Cost effective



Through-bore



Easy integration



The open E series provides high performances while keeping the Slip Ring compact in size and at a competitive price. Available with through holes with diameters ranging from 25 mm to 60 mm and currents from 20 A to 60 A.

The affordable rotary joints of the E series are ideal for integration into machine structures where there are no particular risks of contamination.

Benefits

Cost-effective

Easy integration

Main applications

Wind turbines

Rotating billboards

Rotary tables

Cable reels

Palletisers

Product code (go to page 9 for the detailed coding system)

SVTS E - - - / - / - -

- Series
- Model
- IP grade¹
- Flange type
- Power circuits
- Signal circuits
- Cable length (brush side)
- Cable length (ring side)
- Temperature range²
- Special options³

¹ Only IP00

² Only Standard [ST]

³ 20A circuits [001]; 40A circuits [002]; 60A circuits [003]

Features

Current	20A: 1xAWG14 (each circuit) 40A: 2xAWG14 (each circuit) 60A: 3xAWG14 (each circuit)
Voltage	400 VAC / 400 VDC
Cables	Tin plated - PVC insulation
Cables length	Standard: 500mm; custom cable length increase possible as multiples of 500mm
Dielectric strength	1000 VAC @ 60Hz @ 60 sec
Insulation resistance	> 1000 MΩ/500 VDC
Nominal speed	300 rpm (higher speed upon request)
Dynamic contact resistance	< 10 mΩ
Bearings	Steel
Housing	ABS
Temperature	-20°C +80°C
Protection	IP00
Expected lifetime	10 ⁸ revolutions (depending on speed, environmental conditions and size)

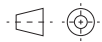
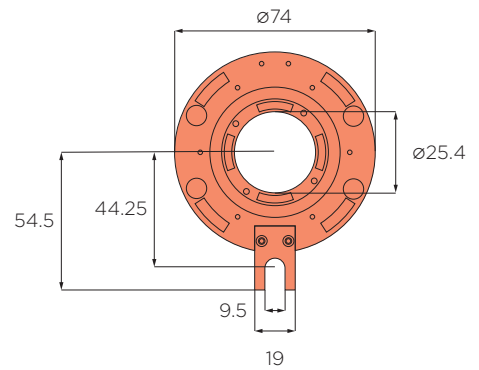
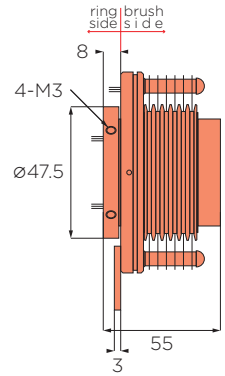
Combinations

Electric	Fluidic (combined solutions)
Signals	Air
Power	Oil
	Gas
	Water

Customizations

Cables		
--------	--	--

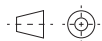
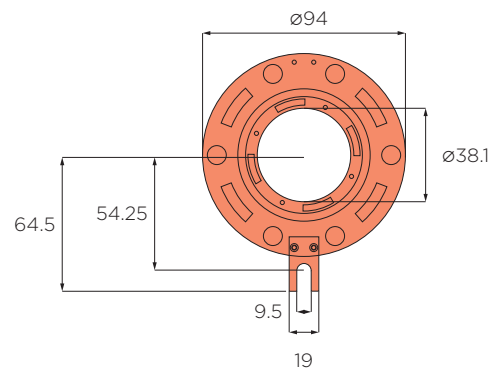
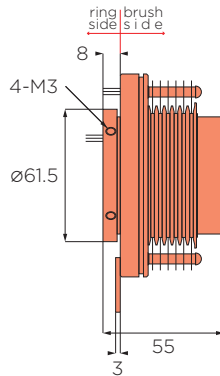
SVTS E 01



Custom cable length increase possible as multiples of 500mm

Model	Number of circuits		Color code p.82
	Total	Power 20A 40A	
SVTS E 01-R-A-03/00-...-001	3	3 -	CC 9
SVTS E 01-R-A-03/00-...-002	3	- 3	CC 9

SVTS E 02

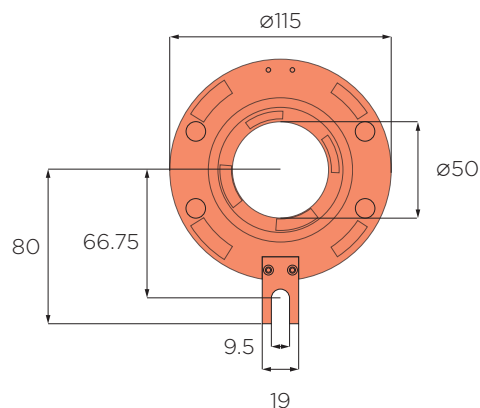
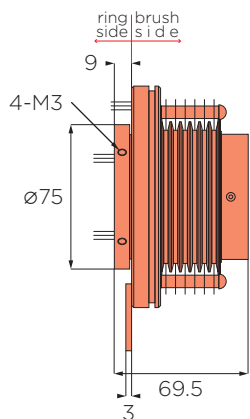


Custom cable length increase possible as multiples of 500mm

Model	Number of circuits		Color code p.82
	Total	Power 20A 40A	
SVTS E 02-R-A-03/00-...-001	3	3 -	CC 9
SVTS E 02-R-A-03/00-...-002	3	- 3	CC 9

All dimensions in millimeters, unless otherwise specified

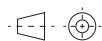
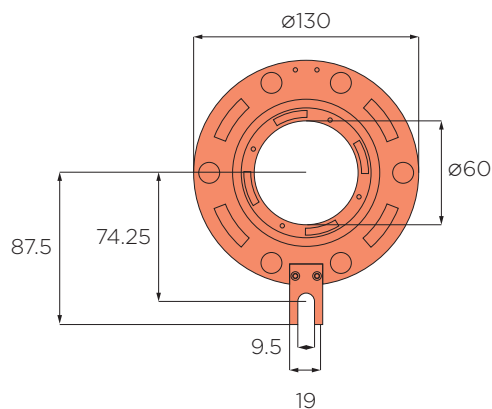
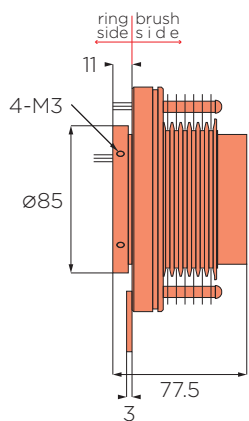
SVTS E 03



Custom cable length increase possible as multiples of 500mm

Model	Number of circuits			Color code p.82	
	Total	Power 20A	Power 40A		Power 60A
SVTS E 03-R-A-03/00-...-001	3	3	-	-	CC 9
SVTS E 03-R-A-03/00-...-002	3	-	3	-	CC 9
SVTS E 03-R-A-03/00-...-003	3	-	-	3	CC 9

SVTS E 04



Custom cable length increase possible as multiples of 500mm

Model	Number of circuits			Color code p.82	
	Total	Power 20A	Power 40A		Power 60A
SVTS E 04-R-A-03/00-...-001	3	3	-	-	CC 9
SVTS E 04-R-A-03/00-...-002	3	-	3	-	CC 9
SVTS E 04-R-A-03/00-...-003	3	-	-	3	CC 9

All dimensions in millimeters, unless otherwise specified

SVTS F Series

Flat Slip Rings

SVTS F Series

Flat Slip Rings



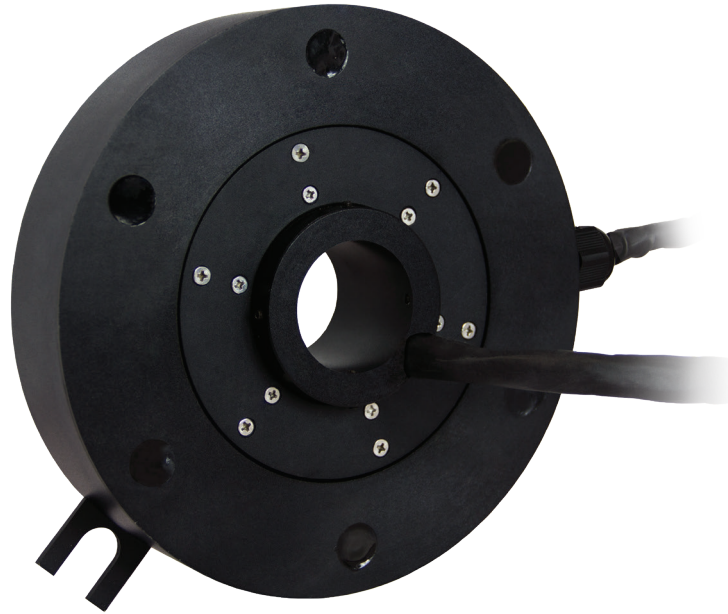
Long-life



Superflat



Power, signals & fieldbus



The flat F Series Slip Rings feature a special design with a total height of just 40 mm, allowing up to 17 signal circuits and 3 power circuits rated at 10 A. They include a 40 mm through-bore and are engineered for applications where overall height is a critical constraint. Derived from the C Series, they offer similar performance and are completely maintenance-free.

Benefits

Flat design

Long-life

Transmission of electric power/signals and fieldbuses in one unit

Many customisations available

Main applications

Revolving doors

Rotary tables









Robots






Medical equipments





Packaging

Cable reels

Product code (go to page 9 for the detailed coding system)

SVTS F   -  -  -   /   -     /     -   -   

F Series  Model  IP grade¹  Flange type  Power circuits  Signal circuits

 Cable length (brush side)  Cable length (ring side)  Temperature range²  Special options

¹ Only IP51 [S]

² Only Standard [ST]

Features

Current	5A: AWG22 10A: AWG16
Voltage	
Power	400 VAC / 400 VDC
Signals	240 VAC / 240 VDC
Cables	Tin plated (power circuits); PTFE insulated / colour coded
Cables length	Standard: 500mm; custom cable length increase possible as multiples of 500mm
Dielectric strength	
Power	1000 VAC @ 60Hz @ 60 sec
Signals	500 VAC @ 60Hz @ 60 sec
Insulation resistance	
Power	> 1000 M Ω / 500 VDC
Signals	> 500 M Ω / 500 VDC
Dynamic contact resistance	< 10 m Ω
Nominal speed	up to 100 rpm (others on request)
Bearings	Steel
Housing	Stainless steel
Temperature	-20°C / +80°C
Protection	IP51
Expected lifetime	10 ⁸ revolutions (depending on speed, environmental conditions and size)

Combinations

Electric
Signals
Power

Customizations

Cables Treatments	Flange	Materials
----------------------	--------	-----------

Special Slip Rings

Success Cases



“Tailored on your application”

Customer-driven development

We can design products tailored to your needs, starting from scratch. Some examples of motor customizations are on cables, on mechanical geometry or high temperature environment.

Our metal-on-metal technology can be adapted to your project's requirements granting the finest transmission quality. Our engineers have the necessary know-how to significantly minimize the development time to provide a solution driven by a proactive flow of information.

The 40 years' experience in the automation world, the focus on contact technologies and the customer commitment approach, are what have always led us to deliver the best solutions and services.

The wide range of electric rotary joints can furthermore be combined with fluidic or optical rotary joints and likewise be customized.

The result is an unlimited number of combinations coupled with a single interface that offers simple solutions to complex applications.

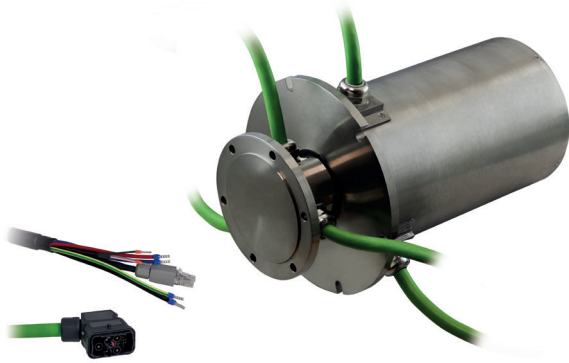
What can we customize?

- Cables
- Connectors
- Current
- Voltage
- Fieldbuses
- Mechanical geometry
- Materials
- Treatments
- Speed
- Sealing
- Feedback integrations
- Special quality controls and tests before delivery

Ruggedized Slip Ring with Schneider hybrid cable

High data-rate Rotary Joint

Custom solution specifically designed for the labeling industry. The request was to bring onto a rotating carousel from one to three Schneider Hybrid cables, carrying: power, Sercos III communication and signals. The exposure to an harsh environment has required the use of a stainless steel housing and IP65 protection degree.



Power circuits

Up to 3 hybrid Schneider - Elau cables (with connectors)

Sercos III (100 BaseT EtherNet)

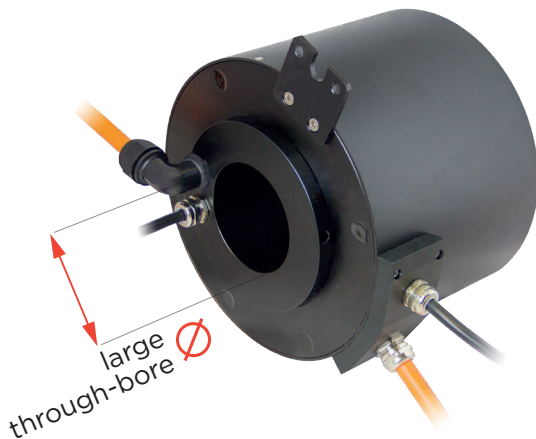
Stainless steel housing

IP 65 Protection

Through-bore Slip Ring with Bosch hybrid cable

High data-rate Rotary Joint

Custom solution specifically designed for the printing industry capable of transmitting: high quality Sercos III communication, power supply and signals over a single hybrid cable with minimum decay, no matter how long the distance. The challenge was to obtain a clean output signal despite the through-hole width, minimizing noise and crosstalk between channels.



Through-bore: 100mm

BOSCH hybrid cables (complete with connectors)

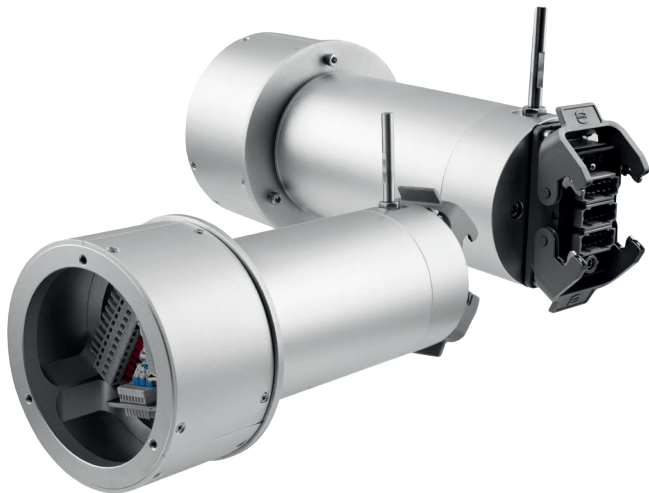
Sercos III (100 BaseT EtherNet)

Custom mechanical design with tight centring tolerance

Slip Rings for Wind Turbines

Rotary Joint with custom connectors

Slip rings for wind turbines, designed for installation between the tower and the nacelle. The need for compact size and easy installation was met by fitting specific connectors.



- IP54
- 27 circuits
- 2 Channels CanOpen power and signals
- Specific Connectors
- Operating temperature: -40..+80°C
- Anti condensation heater

Hybrid Rotary Joint + Inductive transducer

Electric & Fiber Optic Rotary Joint + IncOder

Custom solution specifically designed for a drone antenna. The main purpose was to obtain a very high number of circuits in very little space and weight. Furthermore the environmental conditions were very tough requiring extended temperature range and special surface treatment to reduce external noise and corrosion. The integration with the Zettlex incOder, sealed the partnership between our customer and us.

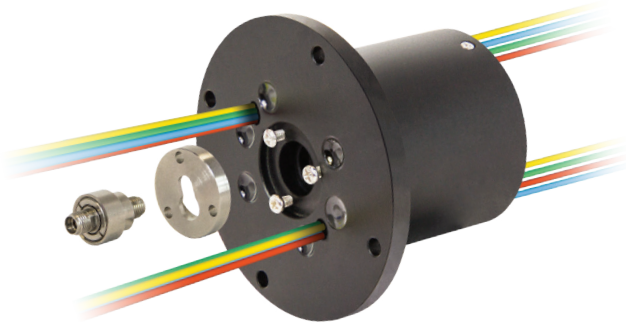


- Ruggedized design**
 - Operating temperature: -40..+80°C
 - Protection IP 65
 - Shock & vibration resistant
- Rotary joint**
 - 10 power circuits
 - 55 signal circuits
 - One multi-mode fiber optic channel
 - Aluminium housing
 - Anticordal 6061 aluminium housing and surface treatment Surtec 650
- Absolute IncOder**
 - Inductive encoder
 - Resolution: up to 22 bit/turn
 - Interfaces: SSI / BiSS / TTL

Compact Slip Ring with Radio Frequency

Electric Rotary Joint with RF connector

Mixed custom solution designed for an antenna, featuring 12 circuits and a high frequency RF joint at 18 GHz. Special materials have also been used to ensure the operating temperature range of -40 +80°C, and the custom flange, in addition to a special reaction shaft, made possible to fully meet the customer's needs.



Electric

Nominal speed: 100rpm
Protection: IP51
Operating temperature: -20..+80°C
Circuits: 4 x 5 A; 8 x 250 mA

RF

Frequency: 18 GHz
VSWR: 1.3
Insertion loss: 0.2
Connectors: SMA-K

Hybrid Rotary Joint with Bosch cable

Electric & Fluidic Rotary Joint + Sercos III

Mixed custom solution with electric Rotary Joint composed by a Bosch hybrid cable for the transmission of power supply, Sercos III, signals and additional DC power. The Slip Ring was then combined with a 2-passage pneumatic rotary joint that can work at different pressures.

The modular design also allows to assemble Slip Rings of different lengths and sizes.



Power circuits
Signal circuits
Sercos III (100 BaseT EtherNet)
Bosch hybrid cables
2 pneumatic passages

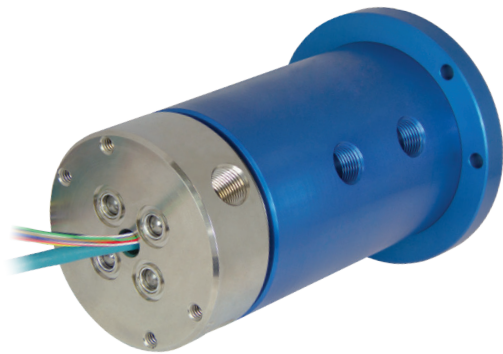
Hybrid Rotary Joint with Ethernet

Electric & Fluidic Rotary Joint + Ethernet

Custom mixed solution designed for a robotic arm. The main purpose was to obtain a compact and lightweight rotary joint to minimise inertia load.

The perfect solution turned out to be the combination of a customized SVTS A electric Rotary Joint with 15 signals and an Ethernet channel (ensuring the higher circuit density possible in the smallest size), with a 4 independent passages 3/8" LT fluidic rotary joint.

What did the trick was the compact and light aluminum body of the rotary union.

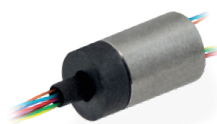
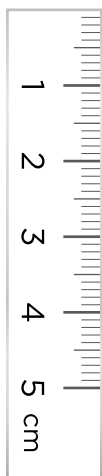


- Compact
- 4 3/8" passages
- Max pressure: 40 bar
- 1000baseT Ethernet
- 15 signal circuits

Micro Slip Ring

Miniaturized Technology

Custom solution specifically designed for a robotic arm. The target was to reduce dimensions and weight to the minimum maintaining a good mechanical resistance. We redesigned the internal structure and developed a new platform that granted the possibility to miniaturize our solutions. We came up with a 6 circuits Slip Ring in a sturdy stainless-steel housing limiting the dimensions to an incredible 8mm diameter and a length of 11mm.



- Up to 6mm diameter
- Up to 36 circuits
- Ethernet option
- Stainless steel housing

Color code

CC 1

Signal	
Color	Ring no.
RD●	1
GN●	2
YE●	3
VT●	4
GY●	5
BK●	6
BU●	7
DBU●	8
BN●	9
OG●	10
WHO	11
KH●	12
WH-RD○●	13
WH-BK○●	14
WH-BU○●	15
WH-VT○●	16
WH-BN○●	17
WH-GN○●	18
WH-OG○●	19
WH-YE○●	20
WH-GY○●	21
BK-RD●●	22
BK-BU●●	23
YE-GN●●	24

CC 2

Signal		
Color	Shrink Tube■	Shrink Tube■
Color	Ring no.	Ring no.
RD●	1	2
GN●	3	4
YE●	5	6
VT●	7	8
GY●	9	10
BK●	11	12
BU●	13	14
DBU●	15	16
BN●	17	18
OG●	19	20
WHO	21	22
KH●	23	24
WH-RD○●	25	26
WH-BK○●	27	28
WH-BU○●	29	30
WH-VT○●	31	32
WH-BN○●	33	34
WH-GN○●	35	36

CC 3

Power			
Shrink Tube■		Shrink Tube■	
Color	Ring no.	Color	Ring no.
RD●	1	BK	2
WHO	3	YE	4

Signal		
Color	Shrink Tube■	Shrink Tube■
Color	Ring no.	Ring no.
RD●	1	2
GN●	3	4
YE●	5	6
VT●	7	8
GY●	9	10
BK●	11	12
BU●	13	14
DBU●	15	16
BN●	17	18
OG●	19	20
WHO	21	22
KH●	23	24
WH-RD○●	25	26
WH-BK○●	27	28
WH-BU○●	29	30
WH-VT○●	31	32
WH-BN○●	33	34
WH-GN○●	35	36
WH-OG○●	37	38
WH-YE○●	39	40
WH-GY○●	41	42
BK-RD●●	43	44
BK-BU●●	45	46

CC 4

Signal				
	Shrink Tube ■	Shrink Tube ■	Shrink Tube ■	Shrink Tube ■
Color	Ring no.	Ring no.	Ring no.	Ring no.
RD ●	1	2	3	4
GN ●	5	6	7	8
YE ●	9	10	11	12
VT ●	13	14	15	16
GY ●	17	18	19	20
BK ●	21	22	23	24
BU ●	25	26	27	28
DBU ●	29	30	31	32
BN ●	33	34	35	36
OG ●	37	38	39	40
WHO ○	41	42	43	44
KH ●	45	46	47	48
WH-RD ○ ○	49	50	51	52
WH-BK ○ ○	53	54	55	56

CC 5

Power	
Color	Ring no.
RD ●	1
YE ●	2
BK ●	3
BU ●	4
GN ●	5
WHO ○	6
VT ●	7
GY ●	8
BN ●	9
OG ●	10
DBU ●	11
KH ●	12

and repeat

Signal	
Color	Ring no.
RD ●	1
YE ●	2
BK ●	3
BU ●	4
GN ●	5
WHO ○	6
VT ●	7
GY ●	8
BN ●	9
OG ●	10
DBU ●	11
KH ●	12

and repeat

CC 6

Power	
Color	Ring no.
RD ●	1
YE ●	2
BK ●	3
BU ●	4
GN ●	5
WHO ○	6
VT ●	7
GY ●	8
BN ●	9
OG ●	10
DBU ●	11
KH ●	12

and repeat

Signal	
Color	Ring no.
RD ●	1
YE ●	2
BK ●	3
BU ●	4
GN ●	5
WHO ○	6
VT ●	7
GY ●	8
BN ●	9
OG ●	10

and repeat

Color code

CC 7

Power	
Color	Ring no.
RD ●	1
YE ●	2
BK ●	3
BU ●	4
GN ●	5
WHO ○	6

and repeat

Signal	
Color	Ring no.
RD ●	1
YE ●	2
BK ●	3
BU ●	4
GN ●	5
WHO ○	6
VT ●	7
GY ●	8
BN ●	9
OG ●	10
DBU ●	11
KH ●	12

and repeat

CC 8

Power	
Color	Ring no.
RD ●	1
YE ●	2
BK ●	3
BU ●	4
GN ●	5
WHO ○	6
VT ●	7
GY ●	8
BN ●	9
OG ●	10

and repeat

Signal	
Color	Ring no.
RD ●	1
YE ●	2
BK ●	3
BU ●	4
GN ●	5
WHO ○	6

and repeat

CC 9

Power	
Color	Ring no.
RD ●	1
YE ●	2
BK ●	3

and repeat

CC 10

Power	
Color	Shrink Tube ■ Ring no.
RD ●	1
YE ●	2
BK ●	3

Signal		
Color	Shrink Tube ■ Ring no.	Shrink Tube ■ Ring no.
RD ●	1	6
YE ●	2	7
BK ●	3	8
BU ●	4	9
GN ●	5	10
WHO ○		11
VT ●		12
GY ●		13
BN ●		14
OG ●		15
DBU ●		16
KH ●		17

CC 11

Power	
Color	Ring no.
RD ●	1
YE ●	2
BK ●	3
BU ●	4
GN ●	5
WHO ○	6
BN ●	7
OG ●	8

and repeat

HEADQUARTERS - ITALY



Servotecnica S.p.A.

Via E. Majorana, 4
20834 Nova Milanese (MB) - Italy
+39 0362 4921 | info@servotecnica.com

GERMANY



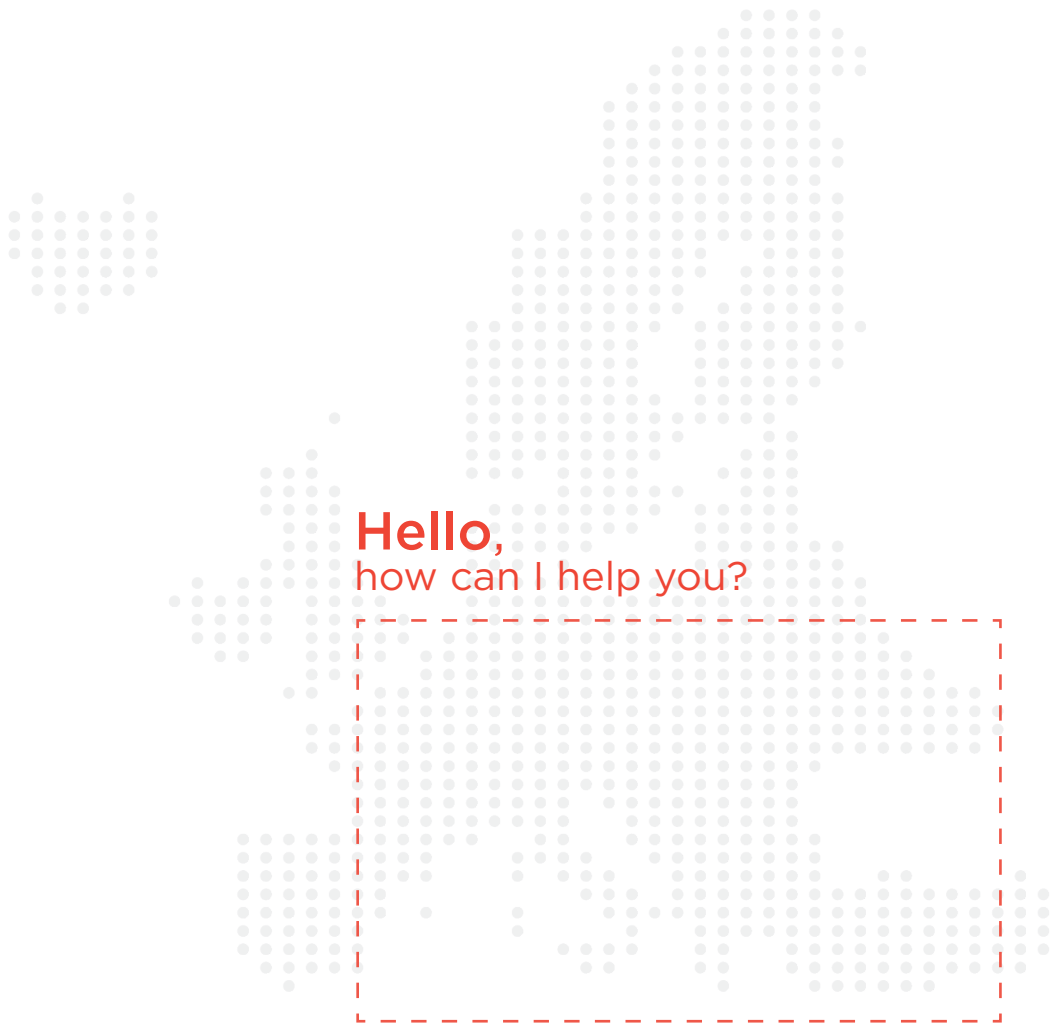
Servotecnica GmbH

Kelsterbacher Str. 20
65479 Raunheim - Deutschland
+49 6142-7936039 | info@servotecnica.de

UNITED STATES



Fair Oaks, California
+1 925-640-7042 | mimobersteg@servotecnica.com



Hello,
how can I help you?

